



**DEPARTMENT OF REGULATORY AND ECONOMIC RESOURCES (RER)
 BOARD AND CODE ADMINISTRATION DIVISION
 NOTICE OF ACCEPTANCE (NOA)**

Endeavour Miami, LLC, dba Tropical Doors & Moulding
6911 N. W. 87th Avenue,
Miami, FL 33178

SCOPE:

This NOA is being issued under the applicable rules and regulations governing the use of construction materials. The documentation submitted has been reviewed and accepted by Miami-Dade County RER -Product Control Section to be used in Miami Dade County and other areas where allowed by the Authority Having Jurisdiction (AHJ).

This NOA shall not be valid after the expiration date stated below. The Miami-Dade County Product Control Section (In Miami Dade County) and/or the AHJ (in areas other than Miami Dade County) reserve the right to have this product or material tested for quality assurance purposes. If this product or material fails to perform in the accepted manner, the manufacturer will incur the expense of such testing and the AHJ may immediately revoke, modify, or suspend the use of such product or material within their jurisdiction. RER reserves the right to revoke this acceptance, if it is determined by Miami-Dade County Product Control Section that this product or material fails to meet the requirements of the applicable building code.

This product is approved as described herein and has been designed to comply with the Florida Building Code, including the High Velocity Hurricane Zone.

DESCRIPTION: Series "Tropical 10" Single Outswing Glazed Wood Doors-L.M.I.

APPROVAL DOCUMENT: Drawing No. **24-124-G**, titled "Series Tropical 10-Glazed Outswing Doors", sheets 1 through 11 of 11, dated 06/13/2025, prepared by PPMF, Inc., signed and sealed by Pedro M. De Figueiredo, P.E., bearing the Miami-Dade County Product Control Approval stamp with the Notice of Acceptance number and approval date by the Miami-Dade County Product Control Section.

MISSILE IMPACT RATING: Large and Small Missile Impact Resistant

Limitations:

1. Maximum three (3) mullied Single units' configurations as depicted in sheet 5 are allowed.
2. See sheet 11 for mullion details, mullion clips and installations.
3. CMU (grouted or un-grouted) substrate is applicable to Jambs only.

LABELING: Each unit shall bear a permanent label with the manufacturer's name or logo, city, state and series and following statement: "Miami-Dade County Product Control Approved", noted herein.

RENEWAL of this NOA shall be considered after a renewal application has been filed and there has been no change in the applicable building code negatively affecting the performance of this product.

TERMINATION of this NOA will occur after the expiration date or if there has been a revision or change in the materials, use, and/or manufacture of the product or process. Misuse of this NOA as an endorsement of any product, for sales, advertising or any other purposes shall automatically terminate this NOA. Failure to comply with any section of this NOA shall be cause for termination and removal of NOA.

ADVERTISEMENT: The NOA number preceded by the words Miami-Dade County, Florida, and followed by the expiration date may be displayed in advertising literature. If any portion of the NOA is displayed, then it shall be done in its entirety.

INSPECTION: A copy of this entire NOA shall be provided to the user by the manufacturer or its distributors and shall be available for inspection at the job site at the request of the Building Official.

This NOA consists of this page 1 and evidence page E-1, as well as the approval document mentioned above.

The submitted documentation was reviewed by **Ishaq I. Chanda, P.E.**

I
7/31/25



NOTICE OF ACCEPTANCE: EVIDENCE SUBMITTED

1. Evidence submitted

A. DRAWINGS

1. Manufacturer's parts drawings and sections
2. Drawing No. **24-124-G**, titled "Series Tropical 10-Glazed Outswing Doors", sheets 1 through 11 of 11, dated 06/13/2025, prepared by PPMF, Inc., signed and sealed by Pedro M. De Figueiredo, P.E.

B. TESTS

1. Test reports on:
 - 1) Air Infiltration Test, per FBC, TAS 202-94
 - 2) Uniform Static Air Pressure Test, Loading per FBC TAS 202-94
 - 3) Water Resistance Test, per FBC, TAS 202-94
 - 4) Large Missile Impact Test per FBC, TAS 201-94
 - 5) Cyclic Wind Pressure Loading per FBC, TAS 203-94
 - 6) Forced Entry Test, per FBC 2411 3.2.1, TAS 202-94

along with marked-up drawings and installation diagrams of Single Outswing Wood Doors, prepared by QAI Laboratories, Test Report No. **21-1033a**, dated 02/10/25, signed and sealed by Idalmis Ortega, P. E.

C. CALCULATIONS

1. Anchor Calculations and structural analysis, complying with FBC2023 (8th edition), prepared by PPMF Inc., dated 01/15/2025, signed and sealed by Pedro De Figueiredo, P.E.
2. Glass compliance per ASTM E 1300-09, -12 and -16.

D. QUALITY ASSURANCE

1. Miami Dade Department of Regulatory and Economic Resources (RER).

E. MATERIAL CERTIFICATIONS

1. Notice of Acceptance No. **24-0915725.02** issued to **Kuraray America, Inc.** for their "**Trosifol® Ultraclear, Clear and Color PVB Glass Interlayers**", expiring on 07/08/29.

F. STATEMENTS

1. Statement letter of conformance to FBC 2023 (8th Edition), prepared by PPMF Inc., dated 01/15/2025, signed and sealed by Pedro M. DeFigueiredo, P.E.
2. Statement of lab compliance, as part of the test report.

G. OTHER

1. Division of Corporation, State of Florida, listing # L04000093244 of Endeavour Miami, LLC as active, since 02/22/2024.
2. Division of Corporation, State of Florida, fictitious listing # G22000118083 of Tropical Doors and Moulding as active, since 09/19/2022.



Ishaq I. Chanda, P.E.
Product Control Unit Supervisor
NOA No. 25-0312.11
Expiration Date: July 17, 2030
Approval Date: July 17, 2025

TROPICAL 10

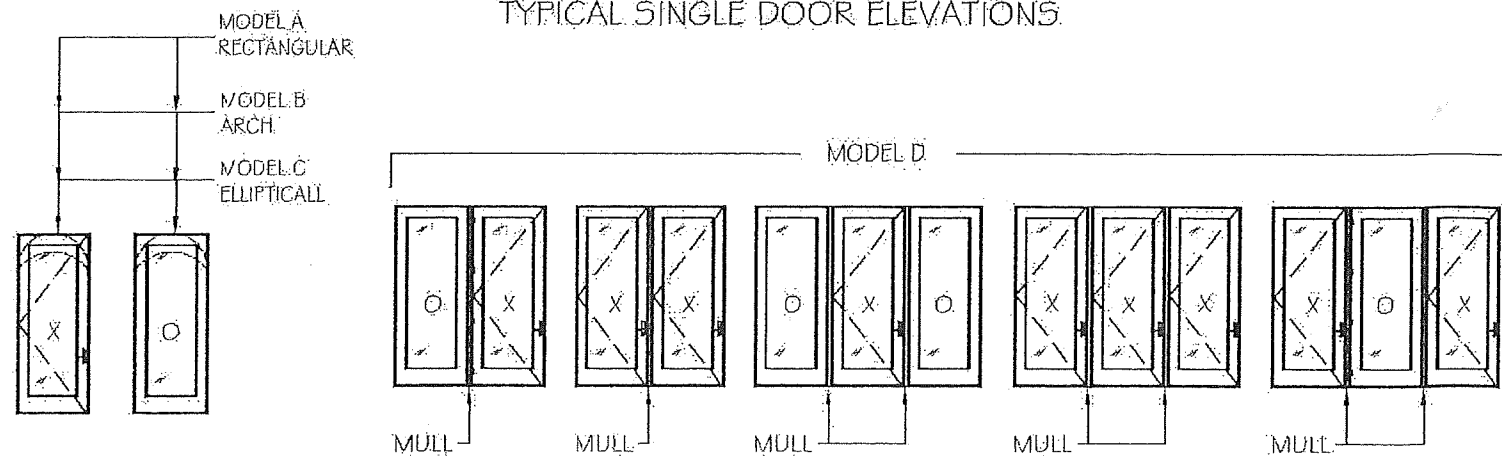
SINGLE GLAZED OUT-SWING DOORS W/O SIDELITES
OR WITH SIDELITES W/ CLIPPED ALUMINUM MULLIONS

GENERAL NOTES:

FLORIDA BUILDING CODE 2023 - 8th EDITION
HIGH VELOCITY HURRICANE ZONES - HVHZ
LARGE & SMALL MISSILE IMPACT RATED

- 1- DEFINITION: THIS PRODUCT IS AN OUT-SWING MAHOGANY DOOR, DESIGNED, CONSTRUCTED AND ERECTED TO ENCLOSE AN AREA, PROVIDING PROTECTION FROM HURRICANE FORCE WINDS WITHIN THE ALLOWABLE DESIGNED PRESSURES AND LIMITATIONS STATED IN THIS APPROVAL.
- 2- CODE: THIS PRODUCT HAS BEEN TESTED AND DESIGNED IN ACCORDANCE WITH THE FBC 2023 - 8th, HIGH VELOCITY HURRICANE ZONES (HVHZ). TEST PROTOCOLS: TAS 202-94, TAS 201-94 AND TAS 203-94.
- 3- POSTING: A PERMANENT LEGIBLE DECAL SHALL BE PLACED AT A READILY VISIBLE LOCATION STATING THE FOLLOWING:
"TROPICAL DOORS AND MOULDING LLC - MIAMI - FLORIDA
LARGE MISSILE IMPACT RESISTANT
TROPICAL 10 OUT-SWING DOOR
MIAMI-DADE COUNTY PRODUCT APPROVED"
- 4- LOADS: DESIGNED LOAD CALCULATED BASED ON THE ASCE 7-22 AND PROVIDED BY A PROFESSIONAL ARCHITECT OR ENGINEER FOR EACH SPECIFIC PROJECT. THE CALCULATED DESIGNED PRESSURE MUST NOT EXCEED THE ALLOWABLE PRESSURES (ASD) HERE IN SPECIFIED. THE ULTIMATE PRESSURES, AS DETERMINED FROM ASCE 7-22, ARE TO BE MULTIPLE BY 0.6 TO OBTAIN THE ASD DESIGN PRESSURES.
- 5- MATERIAL: ALL WOOD MATERIAL TO BE FABRICATED FROM KILN DRIED MAHOGANY.
- 6- FASTENERS: ASSEMBLY SCREWS AND ANCHORS SHALL BE AS SPECIFIED IN THE CURRENT SET OF DRAWINGS. INSTALLATION AND LOADS AS PER THIS APPROVAL.
- 7- USE: IT SHALL BE THE RESPONSIBILITY OF THE CONTRACTOR, ARCHITECT OR ENGINEER OF RECORD TO VERIFY THE FOLLOWING:
 - 7.1- THE STABILITY OF THE STRUCTURE WHERE THE DOOR IS TO BE ATTACHED INSURING PROPER ANCHORAGE.
 - 7.2- THE SITE SPECIFIC PROJECT CRITERIA, SUCH AS BUT NOT LIMITED TO, WIND LOADS, LOCAL CODE REQUIREMENTS, DESIGNED PRESSURES ETC.
 - 7.3- THAT THIS APPROVAL IS ADEQUATE TO THE SPECIFIC PROJECT.

TYPICAL SINGLE DOOR ELEVATIONS



Pedro De Figueiredo
PE 52609
06/13/2025

TABLE OF CONTENTS

SHEET	DESCRIPTION
1	GENERAL NOTES, DESIGN RATING, TABLE OF CONTENTS
2	MODEL A - SINGLE RECTANGULAR OUT-SWING AND SINGLE FIXED DOORS
3	MODEL B - SINGLE ARCH OUT-SWING AND SINGLE FIXED DOORS
4	MODEL C - SINGLE ELLIPTICAL OUT-SWING AND SINGLE FIXED DOORS
5	MODEL D - 2 OR 3 SINGLE DOOR PANELS W/ ALUM. MULLIONS - PART 1
6	MODEL D HARDWARE OPTIONS - PART 2
7	SINGLE GLAZED OPERABLE CROSS SECTIONS
8	SINGLE GLAZED FIXED CROSS SECTIONS
9	SINGLE DOOR FRAMING ANCHORAGE
10	SINGLE DOOR FRAMING CORNER ASSEMBLY
11	SINGLE GLAZED DOOR CORNER ASSEMBLY
12	DOOR COMPONENTS, BILL OF MATERIALS, GLAZING DETAIL

WOOD TYPE:
VERNACULAR NAME: TRUE MAHOGANY
SCIENTIFIC NAME: SWIETENIA MACROPHYLLA G. KING
FAMILY: MELIACEAE
MINIMUM SPECIFIC GRAVITY: SG = 0.45

GLASS TYPE (GLI):
3/16" LAMINATED IMPACT GLASS
TROSIFOL PVB BY KURARAY
SEE SHEET 12 FOR MORE DETAILS

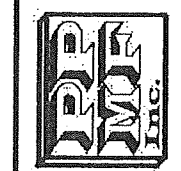
DESIGNED PRESSURE RATING
 $P_d = +70, -70$ PSF (ASD)

LARGE MISSILE IMPACT RATED

MIAMI-DADE BCCO:

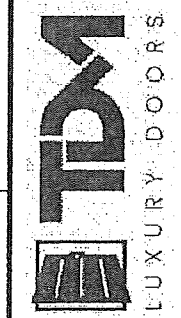
Approved as complying with the
Florida Building Code
Date JUL 17, 2025
NOA# 25-0312-11
Miami Dade Product Control
By Isheang L. Chanda

ENGINEERING SERVICES - CA 32459
631 SEAFORT BLVD.
CAPE CANAVERAL, FL 32920
PFMF@AOL.COM
ENGINEER SEAL
PEDRO DE FIGUEIREDO
PE 52609



PRODUCT CATEGORY: OUTSWING DOORS
PRODUCT MATERIAL: WOOD / GLASS
IMPACT RATING: LARGE & SMALL MISSILE
TROPICAL 10
OUTSWING DOORS

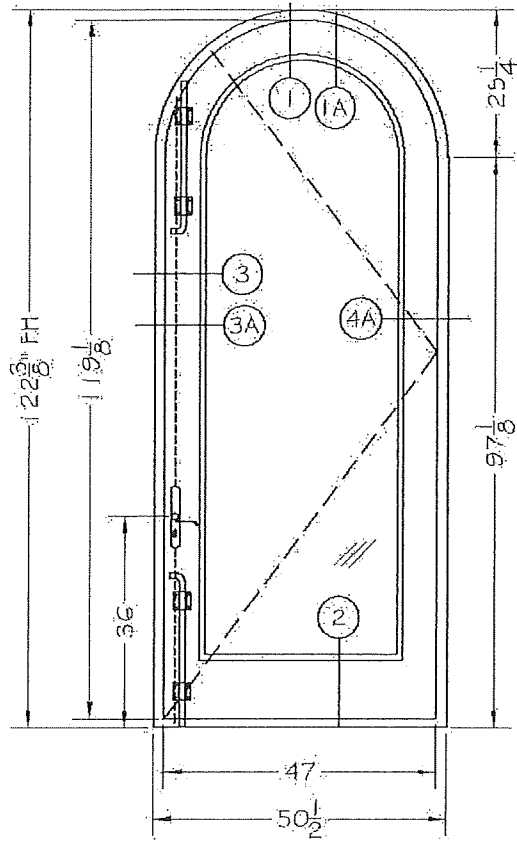
T: (305) 640-1154
F: (305) 513-4118
C: (305) 614-0664
E: tgulinfo@tmdoors.com
W: www.tmdoors.com



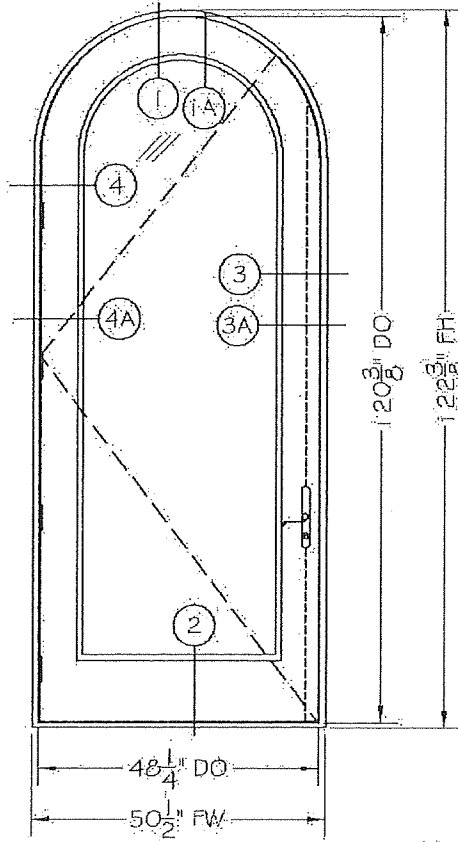
SCALE:
NA
DATE:
06/10/2025
DRAWING #
24-124-G
SHEET
1 OF 12

MODEL B - ARCH

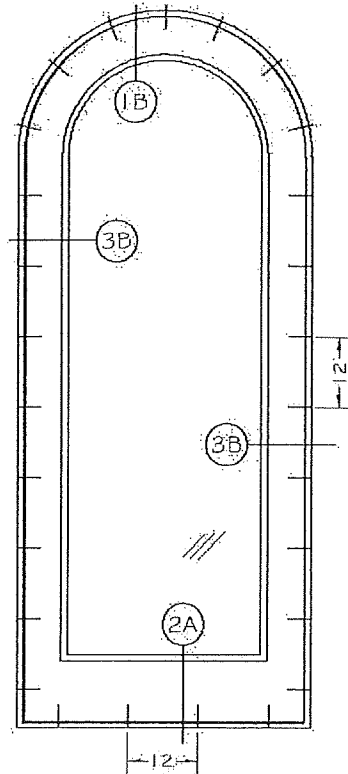
SINGLE SWING-OUT INTERIOR ELEVATION



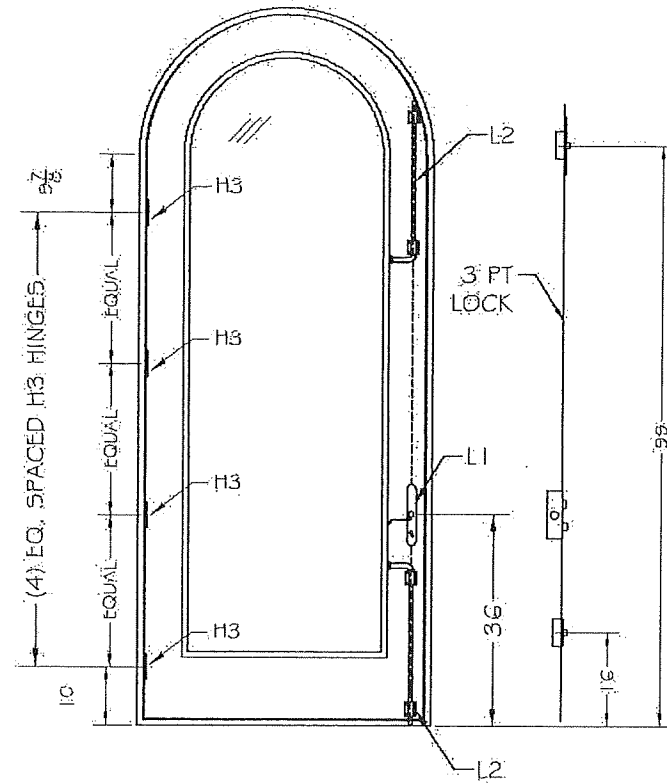
SINGLE SWING-OUT EXTERIOR ELEVATION



SINGLE SIDELITE FIXED ELEVATION



SINGLE SWING-OUT HARDWARE



Pedro De Figueiredo
PE 52609
06/13/2025

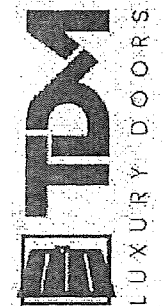
ENGINEERING SERVICES - CA 92489
631 SEAPORT BLVD.
CAPE CANAVERAL, FL 32920
PPMF@AOL.COM
ENGINEER SEAL
PEDRO DE FIGUEIREDO
PE 52609



PRODUCT CATEGORY: OUTSWING DOORS
PRODUCT MATERIAL: WOOD / GLASS
IMPACT RATING: LARGE & SMALL MISSILE

TROPICAL 10
OUTSWING DOORS

T: (305) 640-1154
F: (305) 613-4118
C: (305) 614-0664
E: rguiluf@trdoors.com
W: www.trdoors.com

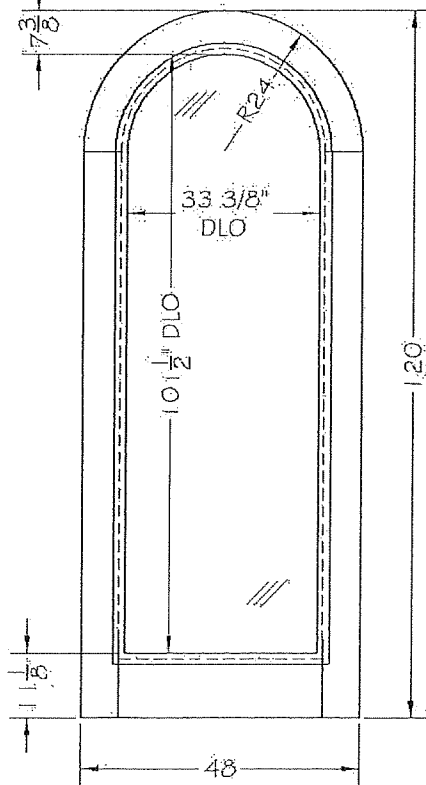


SCALE: NA
DATE: 06/10/2025
DRAWING #: 24-124-G
SHEET: 3 OF 12

MODEL B HARDWARE

MARK	DESCRIPTION
L1	ONE GU CONCEALED MOUNT STAINLESS STEEL 3-PT (JAMBS ONLY) LOCK SYSTEM WITH ACTIVATION LEVER TYPE HANDLE AND THUMB TURN OPERATOR ON THE INSIDE AND KEY OPERATOR ON THE EXTERIOR
L2	TWO SOLID BRASS CUSTOM SURFACE MOUNT 26" LONG SLIDE BOLT SECURED WITH (8) #10X1 1/2" FH SMS
H3	FOUR STAINLESS STEEL TECTUS CONCEALED MOUNTED HINGES SECURED WITH (6) #10 X 1 1/2" FH SMS, 10" FROM BOTTOM AND EQUALLY SPACED AT JAMB
K2	THREE GU CONCEALED MOUNTED SS STRIKE PLATE SECURED TO FRAME JAMB WITH (6) 1/4" X 3 1/4" CONCRETE FASTENERS
K3	ONE CUSTOM MADE SURFACE MOUNTED STEEL STRIKE PLATE SECURED TO FRAME THRESHOLD AT 46" FROM JAMB WITH (4) 1/4" X 3 1/4" CONCRETE FASTENERS
K3.1	ONE CUSTOM MADE SURFACE MOUNTED STEEL KEEPER SECURED TO FRAME HEADER WITH (2) #6 X 1 1/4" FH SMS

GLAZED DOOR SLAB

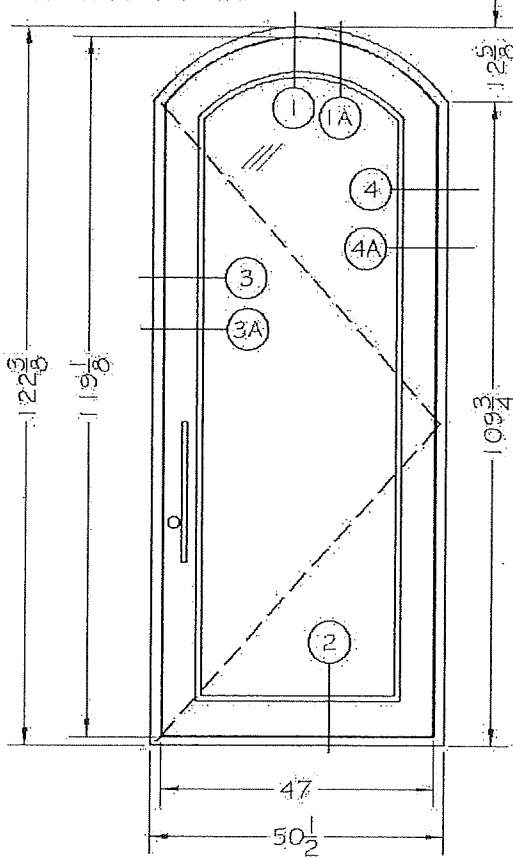


MIAMI-DADE BCCO:

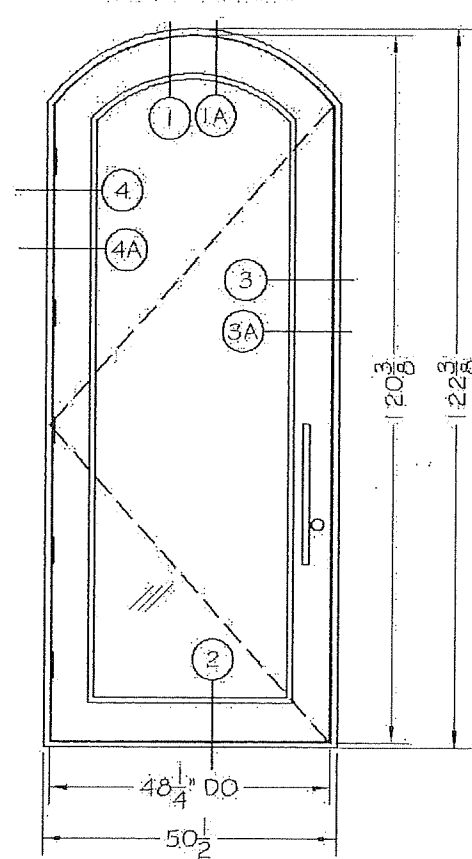
Approved as complying with the Florida Building Code
Date: JUL 17, 2025
NOA#: 25-0312.11
Miami Dade Product Control
By: Ishing J. Chandra

MODEL C - ELLIPTICAL

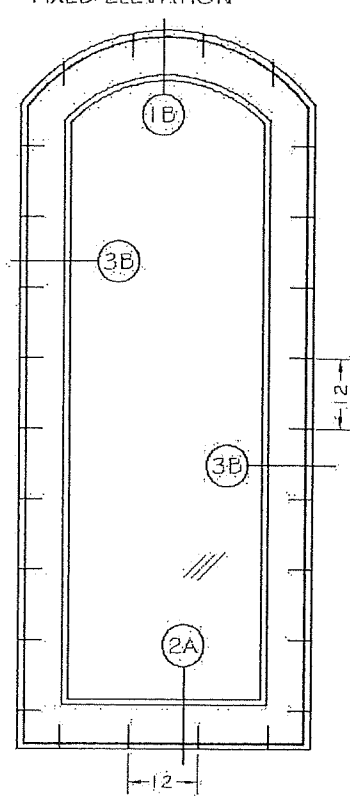
SINGLE SWING-OUT INTERIOR ELEVATION



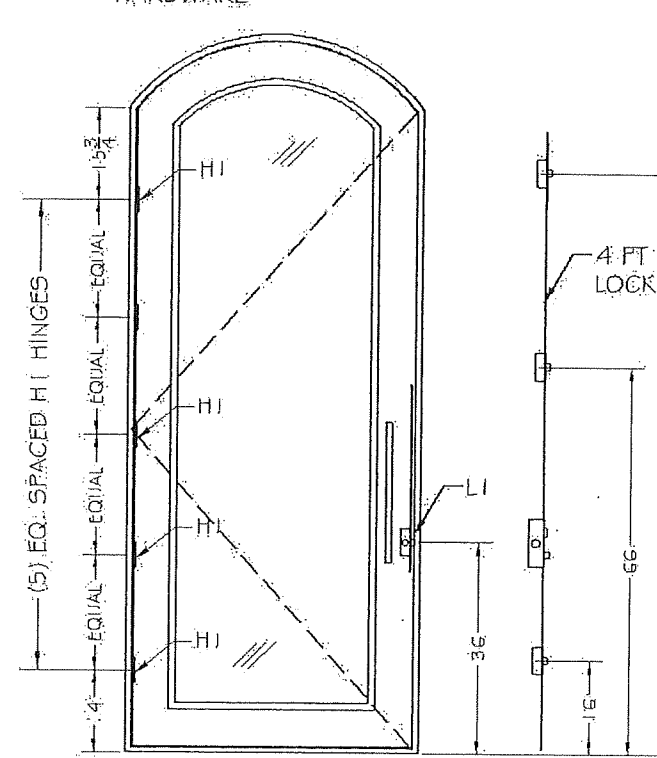
SINGLE SWING-OUT EXTERIOR ELEVATION



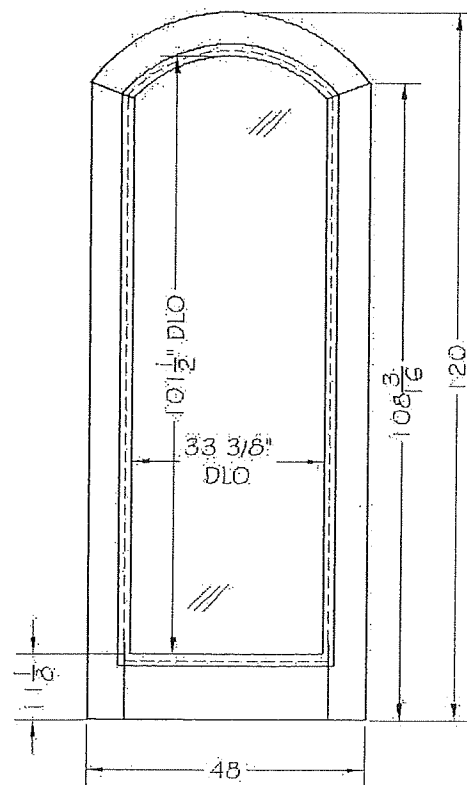
SINGLE SIDELITE FIXED ELEVATION



SINGLE SWING-OUT HARDWARE

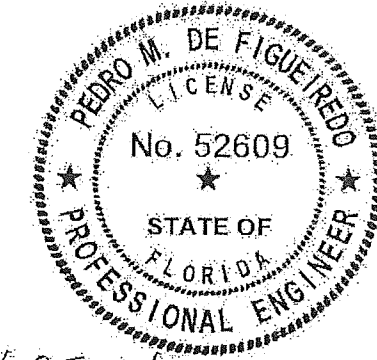


GLAZED DOOR SLAB



MODEL C HARDWARE

MARK	DESCRIPTION
LI	ONE GU CONCEALED MOUNT STAINLESS STEEL 4 PT (STILE TO JAMB) LOCK SYSTEM WITH ACTIVATION CYLINDER AND THUMB TURN OPERATOR ON THE INSIDE AND KEY OPERATOR ON THE EXTERIOR
HI	FIVE SOLID BRASS DELTANA 4 1/2" BUTT HINGES SECURED WITH (4) #12 X 1 1/2" FH SMS 14" FROM SILL AND EQUALLY SPACED AT JAMB
KI	FOUR "GU" CONCEALED MOUNTED STAINLESS STEEL STRIKE PLATE SECURED TO FRAME JAMB WITH (4) 1/4" X 3 3/4" CONCRETE FASTENERS.



Pedro De Figueiredo
PE 52609
06/13/2025

ENGINEERING SERVICES - CA 324P9
631 SEAPORT BLVD.
CAFE CANAVERAL, FL 32920
PPMF@AOL.COM
ENGINEER SEAL
PEDRO DE FIGUEIREDO
PE 52609



PRODUCT CATEGORY: OUTSWING DOORS
PRODUCT MATERIAL: WOOD / GLASS
IMPACT RATING: LARGE & SMALL MISSILE

TROPICAL 10
OUTSWING DOORS

T: (305) 640-1154
F: (305) 513-4118
C: (305) 614-0664
E: rj@tmdoors.com
W: www.tmdoors.com



MIAMI-DADE BCCO:

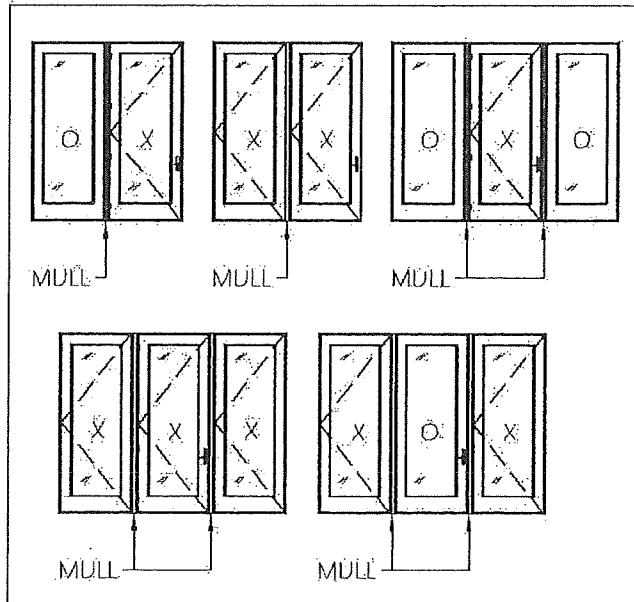
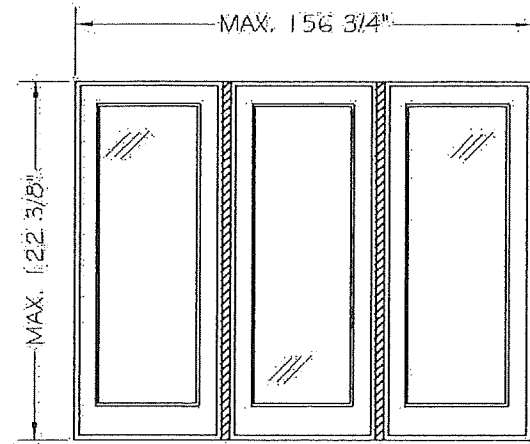
Approved as complying with the
Florida Building Code
Date JUL 17 2025
NOAH 25-0312-11
Miami Dade Product Control

By Ismael Hernandez

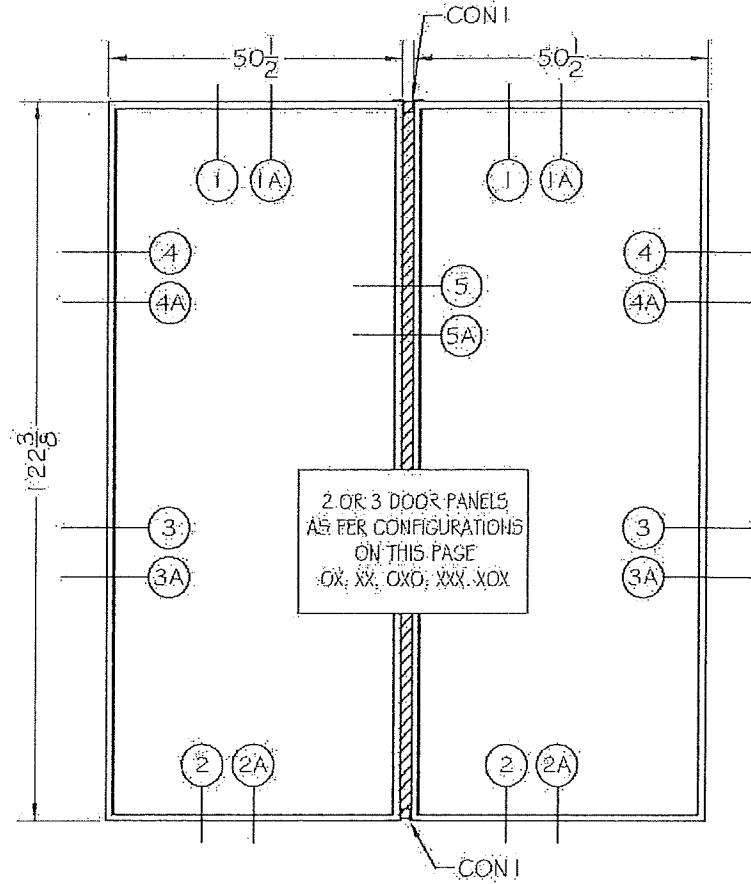
SCALE:
NA
DATE:
06/10/2025
DRAWING #
24-124-G
SHEET
4 OF 12

MODEL D - SINGLE DOORS W/ MULLIONS - PART I

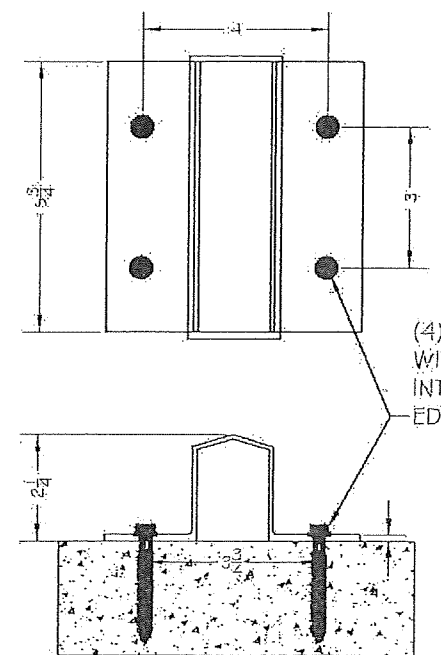
TYPICAL 2 OR 3 SINGLE DOOR PANELS ELEVATIONS



1/8-2X6 MULLION WITH TOP / BOTTOM CLIPS

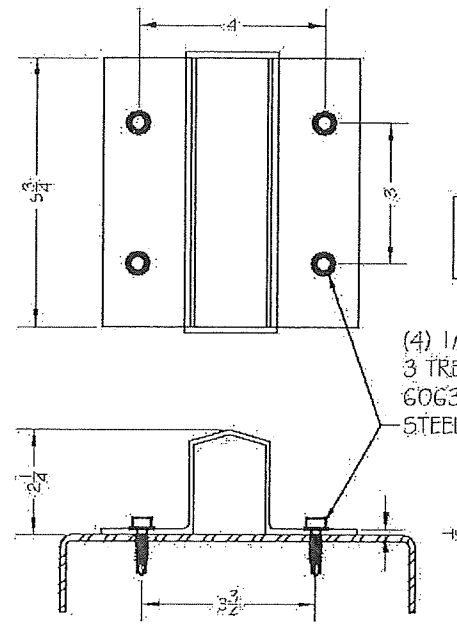


2 OR 3 DOOR PANELS AS PER CONFIGURATIONS ON THIS PAGE
OX, XX, OXO, XXX, XOX



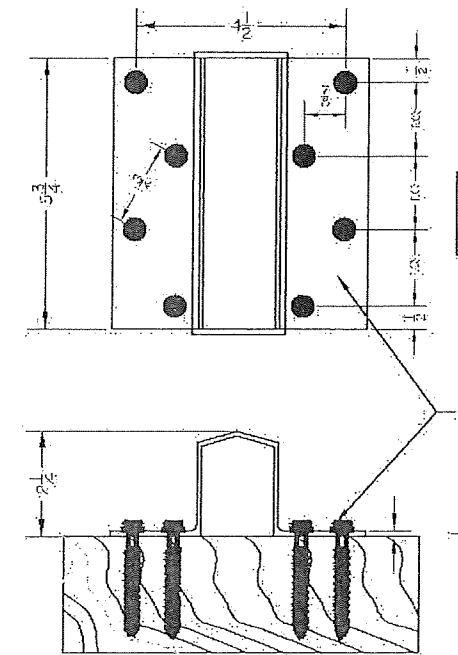
ALUMINUM MULLION ANCHORAGE CON 1 INTO 3 KSI CONCRETE

(4) 1/4\"/>



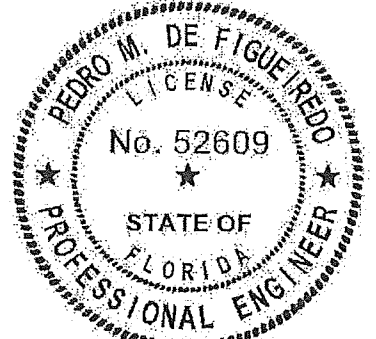
ALUMINUM MULLION ANCHORAGE CON 1 INTO 1/8\"/>

(4) 1/4\"/>



ALUMINUM MULLION ANCHORAGE CON 1 INTO WOOD STRUCTURE

(8) 1/4\"/>



Pedro De Figueiredo
PE 52609
06/10/2025

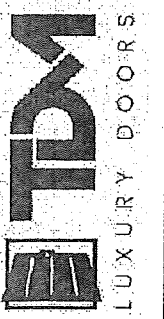
ENGINEERING SERVICES: CA 32459
631 SEAPORT BLVD.
CAPE CANAVERAL, FL 32920
PPMF@AOL.COM
ENGINEER SEAL
PEDRO DE FIGUEIREDO
PE 52609



PRODUCT CATEGORY: OUTSWING DOORS
PRODUCT MATERIAL: WOOD / GLASS
IMPACT RATING: LARGE & SMALL MISSILE

TROPICAL 10
OUTSWING DOORS

T: (305) 640-1154
F: (305) 513-4118
C: (305) 614-0664
E: rguilfo@tmdoors.com
W: www.tmdoors.com



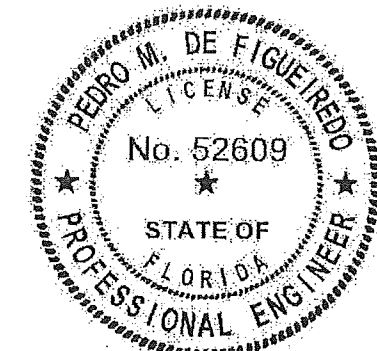
MIAMI-DADE BCCO:

Approved as complying with the Florida Building Code
Date 306.17.2025
NOA# 25-0312.11
Miami Dade Product Control

By Iskay L. Chumb

SCALE: NA
DATE: 06/10/2025
DRAWING #: 24-124-G
SHEET: 5 OF 12

MODEL D - HARDWARE OPTIONS - PART 2



Pedro De Figueiredo
PE 52609
06/13/2025

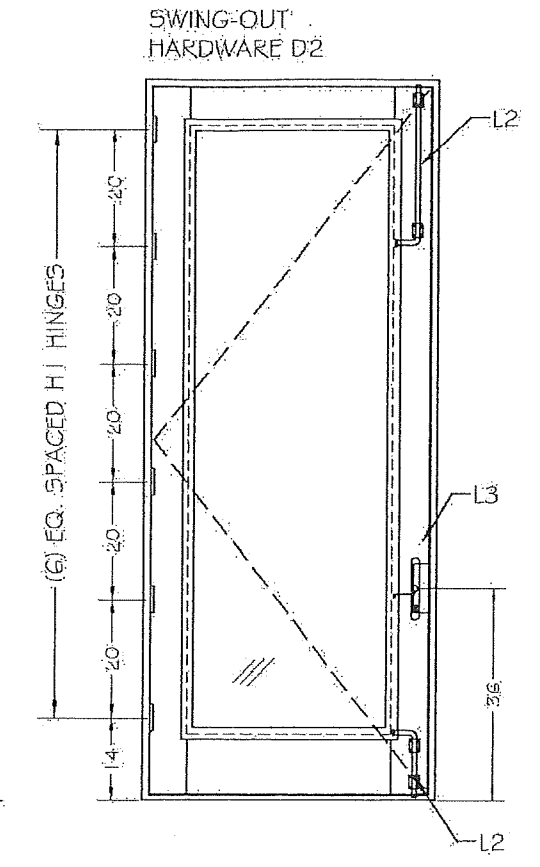
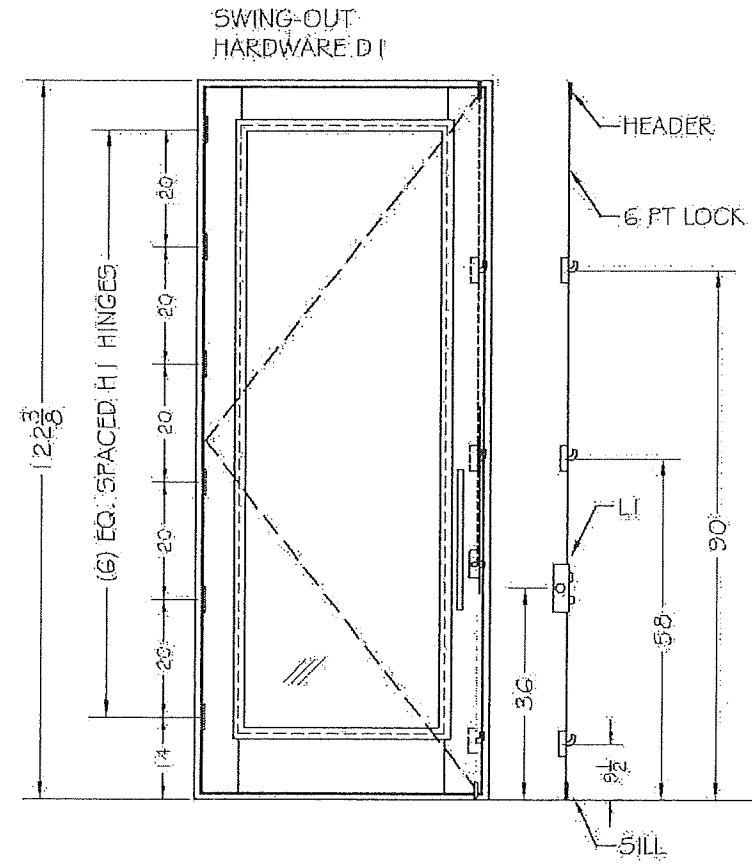
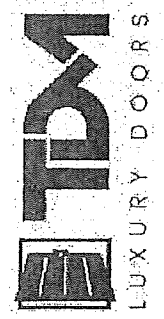


ENGINEERING SERVICES - CA 32459
681 SEAFORT BLVD.
CAPE CANAVERAL, FL 32920
PPMF@AOL.COM
ENGINEER SEAL
PEDRO DE FIGUEIREDO
PE-52609



PRODUCT CATEGORY: OUTSWING DOORS
PRODUCT MATERIAL: WOOD / GLASS
IMPACT RATING: LARGE & SMALL MISSILE
TROPICAL 10
OUTSWING DOORS

T: (305) 640-1154
F: (305) 513-4118
C: (305) 614-0664
E: rguilfo@tmdoors.com
W: www.tmdoors.com



SAMPLE D1 HARDWARE

MARK	DESCRIPTION
L1	ONE (6) CONCEALED MOUNT STAINLESS STEEL 6 FT (4 FT STILE TO JAMB) + 2 FT HEADER + SILL LOCK SYSTEM WITH ACTIVATION LEVER HANDLE WITH A KEY CYLINDER AND THUMB TURN OPERATOR ON THE INSIDE.
H1	SIX SOLID BRASS DELTANA 4 1/2" BUTT HINGES SECURED WITH (4) #12 X 1 1/2" FH SMS 14" FROM SILL AND EQUALLY SPACED AT JAMB
K1	FOUR (6) CONCEALED MOUNTED STAINLESS STEEL STRIKE PLATE SECURED TO FRAME JAMB WITH (4) 1/4" X 3 3/4" CONCRETE FASTENERS.
K2	TWO (6) CONCEALED MOUNTED STAINLESS STEEL STRIKE PLATE SECURED TO HEADER AND SILL WITH (4) 1/4" X 3 3/4" CONCRETE FASTENERS.

SAMPLE D2 HARDWARE

MARK	DESCRIPTION
L2	TWO SOLID BRASS CUSTOM SURFACE MOUNT 26" (TOP) AND 10" (BOTTOM) LONG SLIDE BOLT SECURED WITH (2) #10 X 1 1/2" FH SMS
L3	ONE EMTEK SOLID BRASS TUBULAR HANDLE LOCK WITH ACTIVATION LEVER TYPE HANDLE AND THUMB TURN OPERATOR ON THE INSIDE AND KEY OPERATOR ON THE EXTERIOR
H1	SIX SOLID BRASS DELTANA 4 1/2" BUTT HINGES SECURED WITH (4) #12 X 1 1/2" FH SMS 14" FROM SILL AND EQUALLY SPACED AT JAMB
K3	TWO CUSTOM MADE SURFACE MOUNTED STEEL STRIKE PLATE SECURED TO FRAME THRESHOLD AND HEADER AT 46" FROM JAMB WITH (4) 1/4" X 3 1/4" CONCRETE FASTENERS

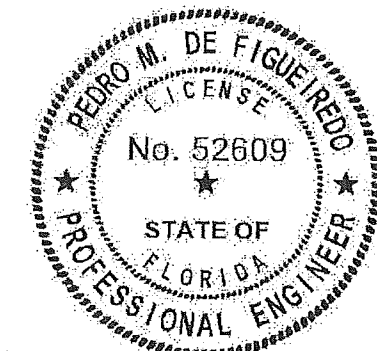
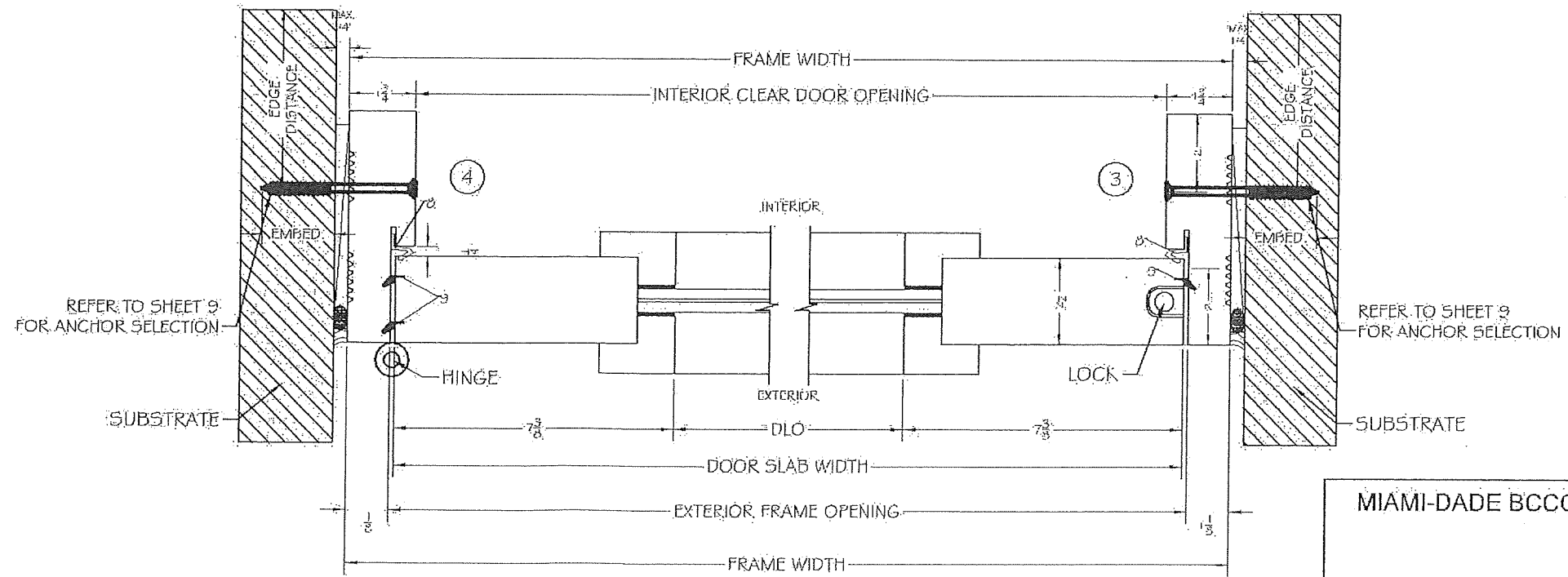
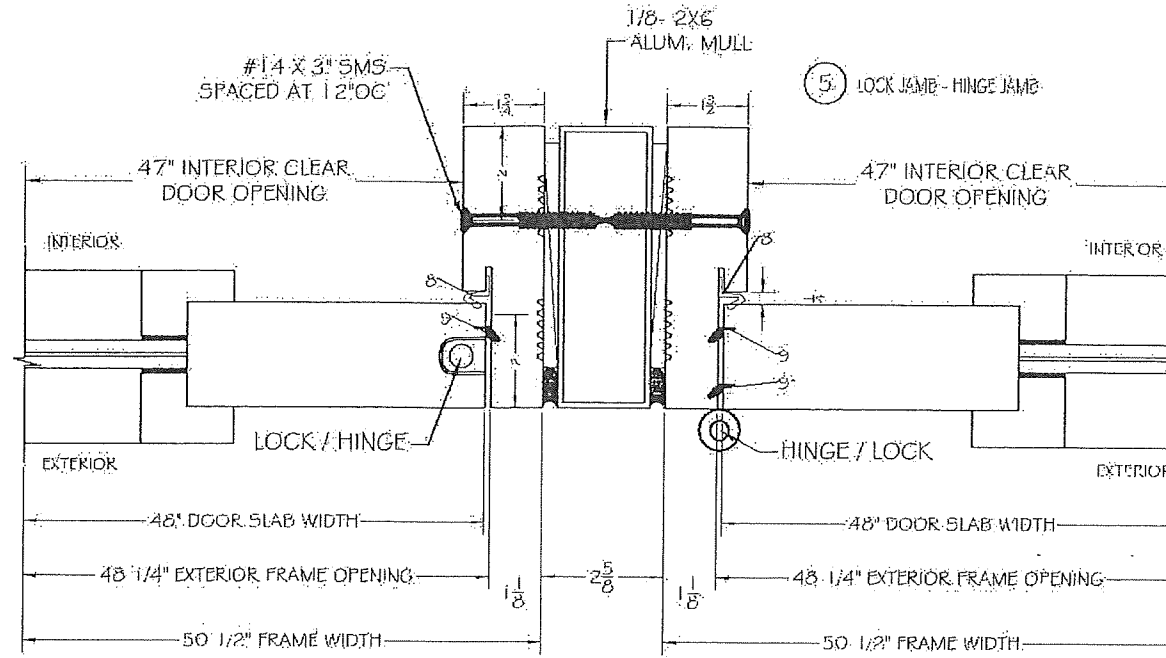
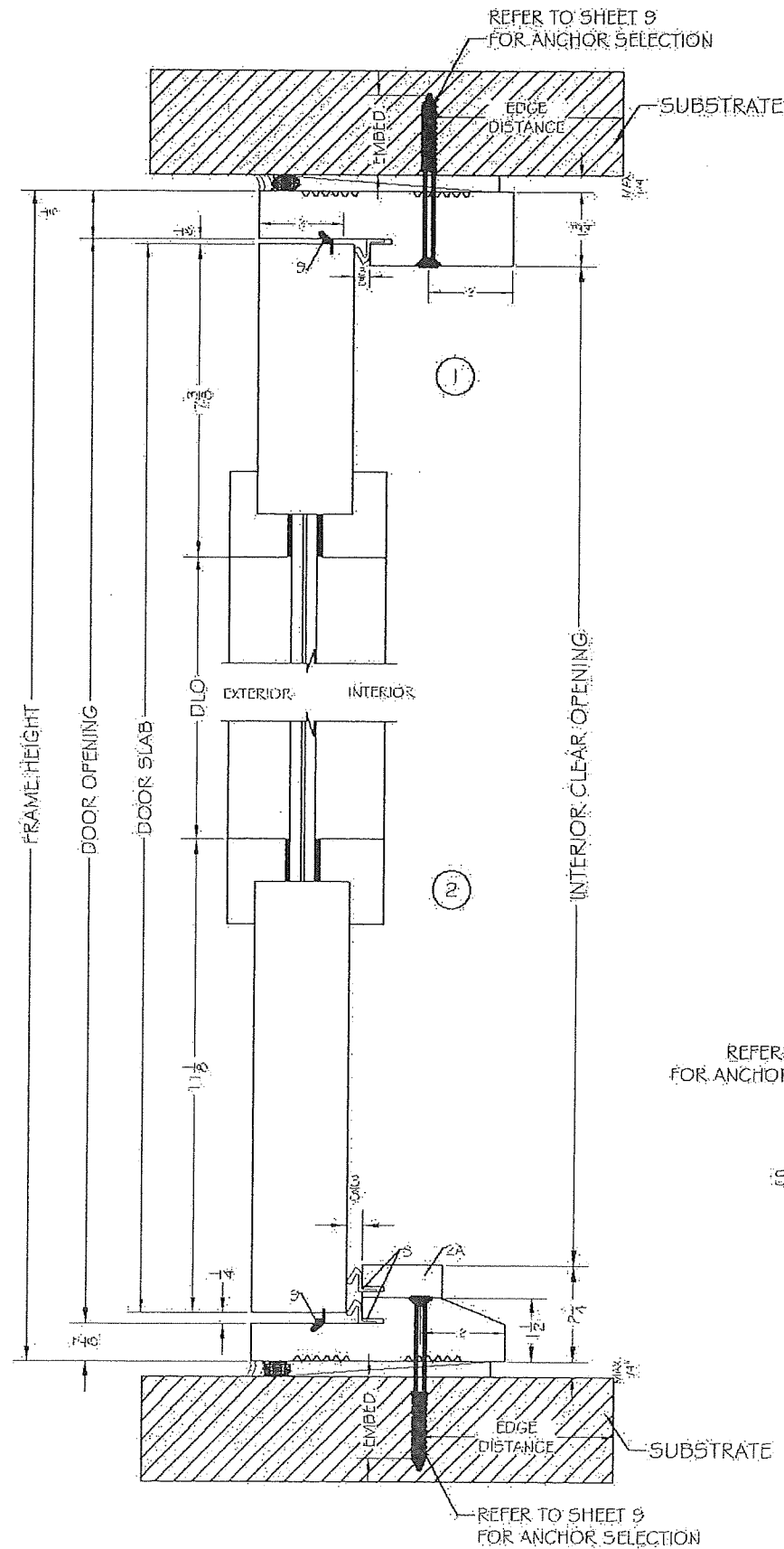
MIAMI-DADE BCCO:

Approved as complying with the Florida Building Code
Date: JUL 17, 2025
NOA#: 25-0372-11
Miami Dade Product Control

By Isheq J. Chaneb

SCALE:	NA
DATE:	06/10/2025
DRAWING #	24-124-G
SHEET	6 OF 12

**SINGLE GLAZED OUT-SWING DOOR
CROSS SECTIONS**



Pedro De Figueiredo
PE 52609
06/13/2025



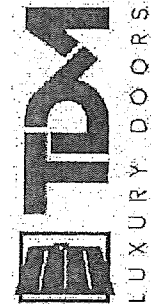
ENGINEERING SERVICES - CORP. 324F93
531 SEAPORT BLVD.
CAFE CANAVERAL, FL 32920
PPMF@AOL.COM
ENGINEER SEAL
PEDRO DE FIGUEIREDO
PE 52609



PRODUCT CATEGORY: OUTSWING DOORS
PRODUCT MATERIAL: WOOD / GLASS
IMPACT RATING: LARGE & SMALL MISSILE

TROPICAL 10
OUTSWING DOORS

T: (305) 640-1154
F: (305) 613-4118
C: (305) 614-0664
E: rjg@tfd.com
W: www.tfd.com



MIAMI-DADE BCCO:

Approved as complying with the
Florida Building Code
Date JUL 17, 2025
NOA# 25-0312.11
Miami Dade Product Control

By Isang I. (Signature)

SCALE:	NA
DATE:	06/10/2025
DRAWING #	24-124-G
SHEET	7 OF 12

SINGLE GLAZED CROSS SECTIONS - SIDELITE



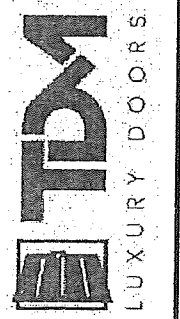
Pedro De Figueiredo
PE 52609
06/13/2025

ENGINEERING SERVICES: (305) 324-459
631 SEAFORT BLVD.
CAPE CANAVERAL, FL 32920
PPMF@AOL.COM
ENGINEER SEAL
PEDRO M. DE FIGUEIREDO
PE-52609



PRODUCT CATEGORY: OUTSWING DOORS
PRODUCT MATERIAL: WOOD / GLASS
IMPACT RATING: LARGE & SMALL MISSILE
TROPICAL 10
OUTSWING DOORS

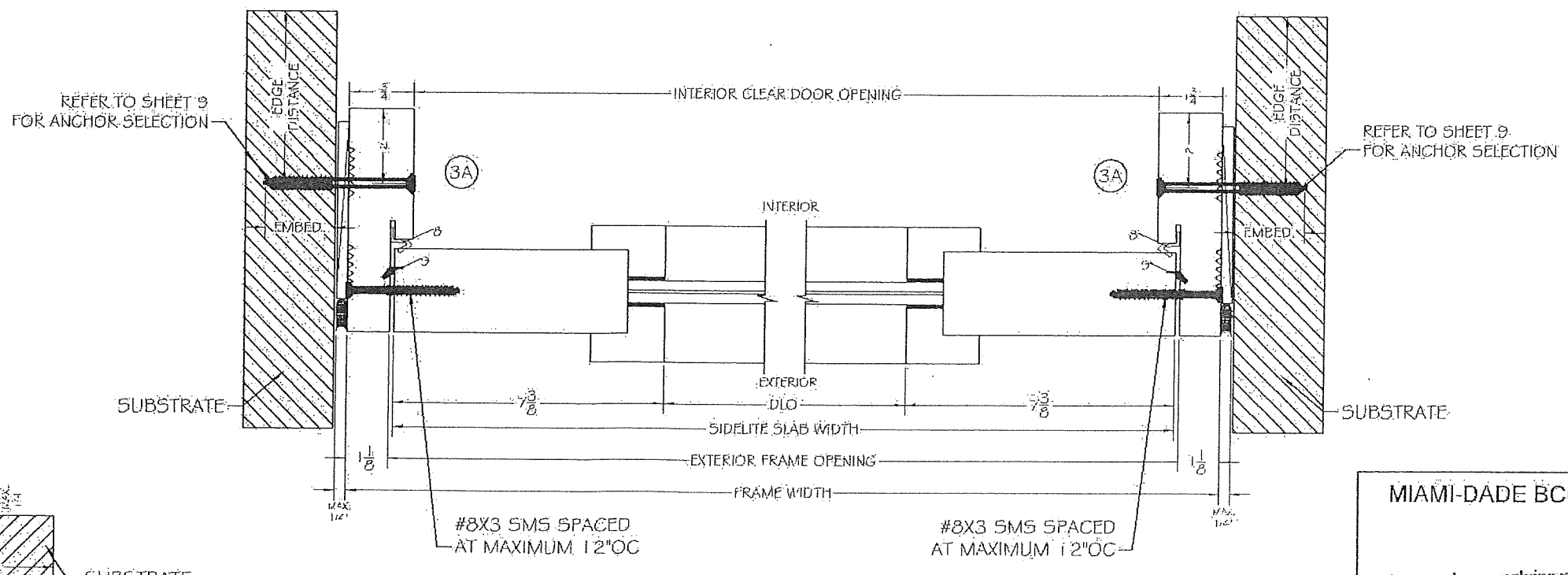
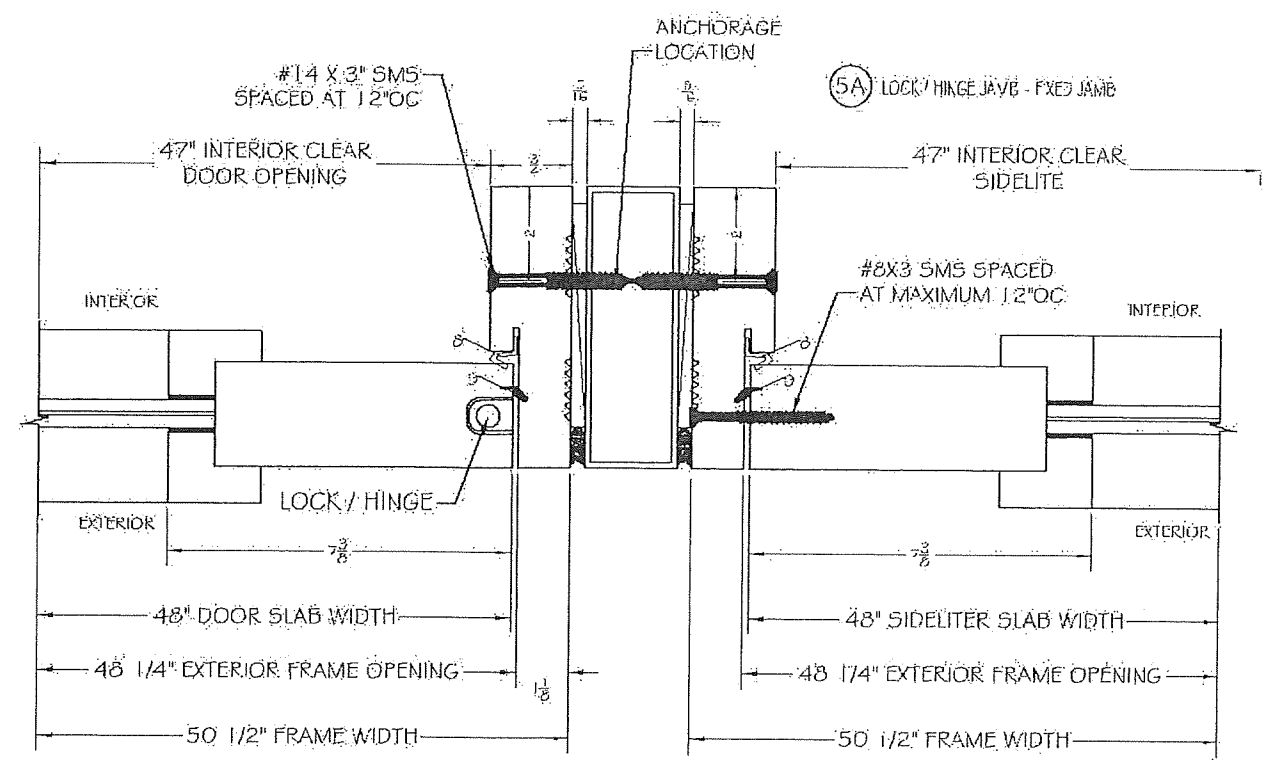
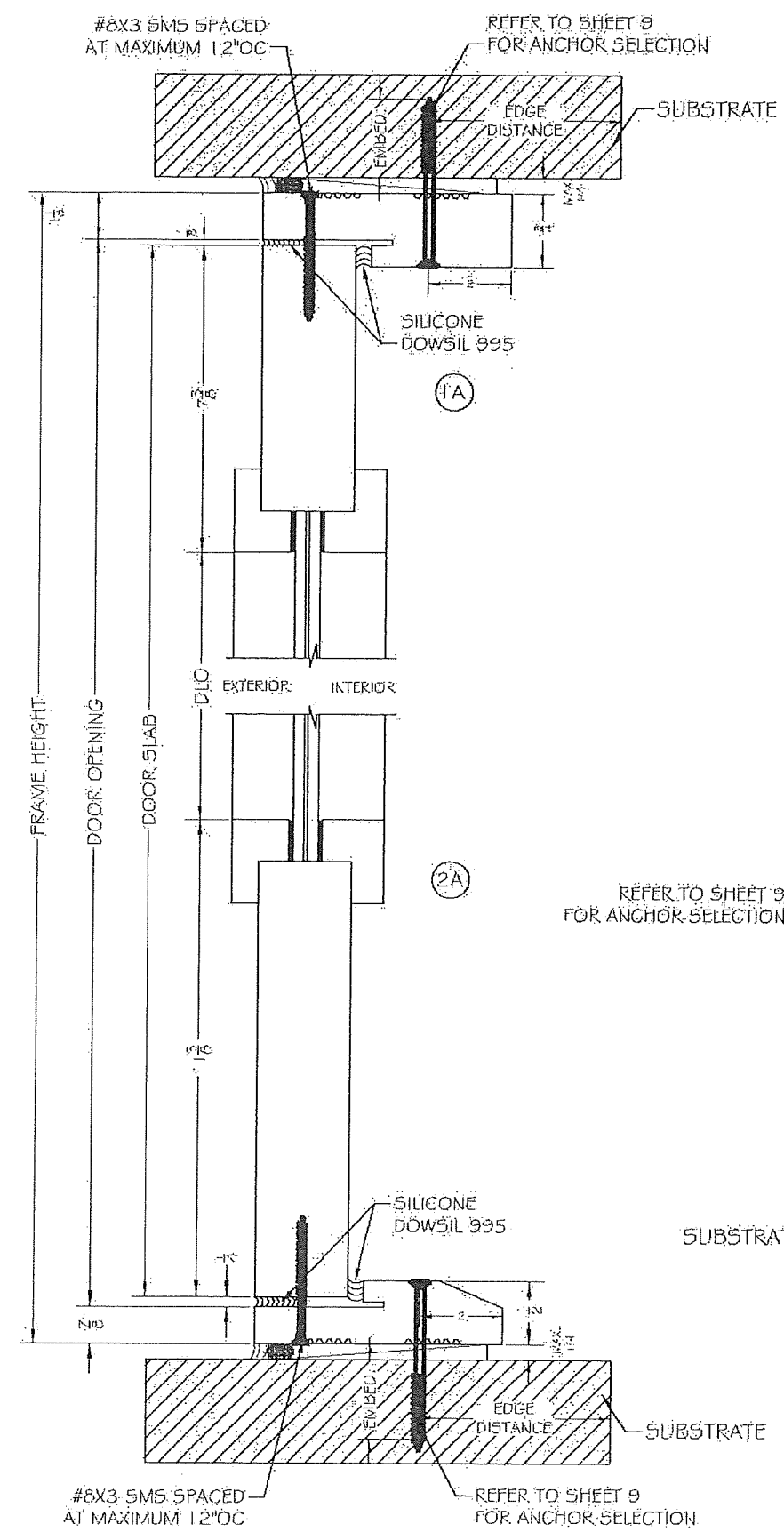
T: (305) 640-1154
F: (305) 513-4118
C: (305) 614-0664
E: rj@tropicaldoors.com
W: www.tropicaldoors.com



MIAMI-DADE BCCO:

Approved as complying with the
Florida Building Code
Date Jul 17, 2025
NOA# 25-0312.11
Miami Dade Product Control
By Ishay L. Chandra

SCALE: NA
DATE: 06/10/2025
DRAWING #: 24-124-G
SHEET: 8 OF 12

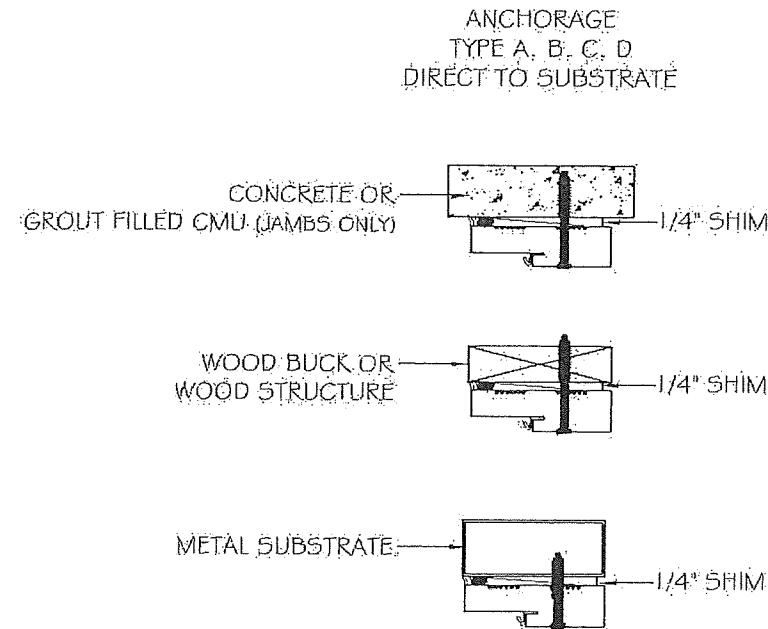
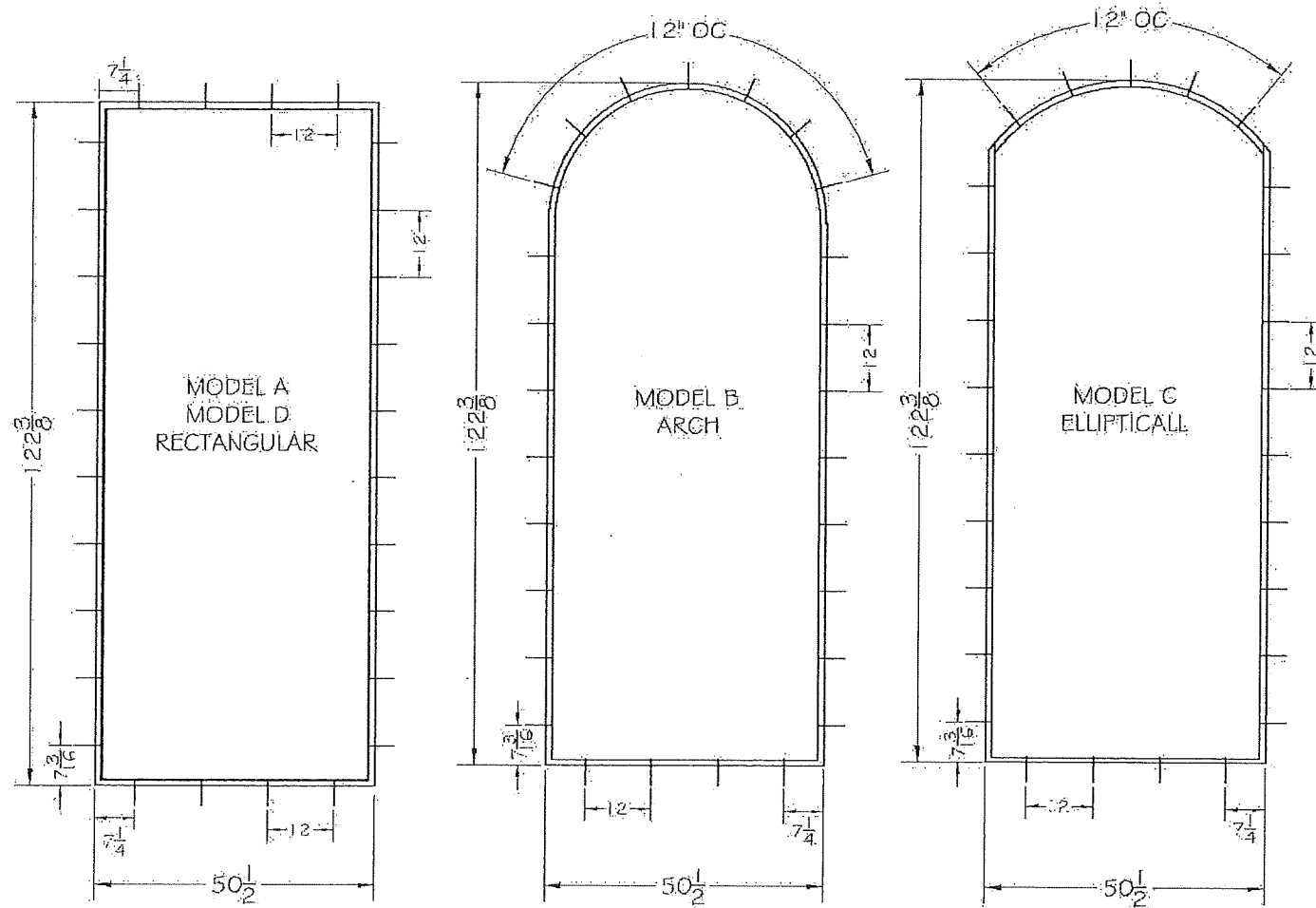


#8x3 SMS SPACED AT MAXIMUM 12" OC
REFER TO SHEET 9 FOR ANCHOR SELECTION

#8x3 SMS SPACED AT MAXIMUM 12" OC

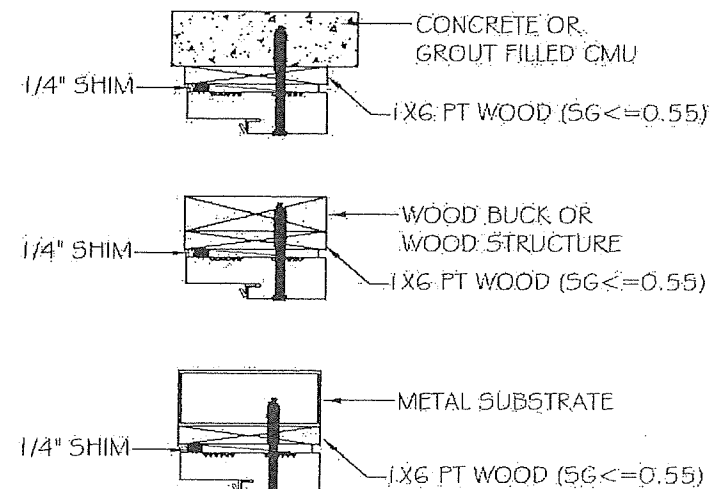
#8x3 SMS SPACED AT MAXIMUM 12" OC

FRAMING ANCHORAGE



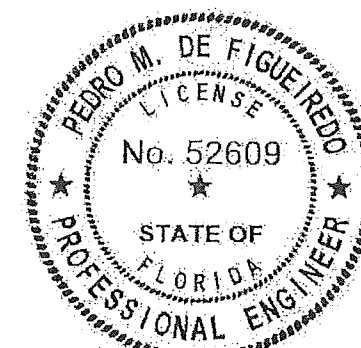
ANCHORAGE TYPE A, B, C, D THROUGH 1X AND INTO SUBSTRATE

1X6 PT WOOD TO BE DESIGNED BY OTHERS



ANCHOR TABLE

ANCHOR TYPE	DESCRIPTION	EDGE DISTANCE
A	1/4" ULTRACONS WITH MIN. 1 3/8" DIRECT INTO CONCRETE (MIN. $f_c=3$ KSI)	2. 1/2"
B	1/4" ULTRACONS WITH MIN. 1 3/4" INTO GROUT FILLED BLOCK	2. 1/2"
C	1/4" ULTRACONS WITH MIN. 1 1/2" DIRECT INTO WOOD STRUCTURES ($SG \geq 0.55$)	1"
D	1/4" SDS GR 5 MIN. 3 TREADS THROUGH 1/8" THICK METAL (ASTM A36 STEEL / 6063-T5 ALUM.)	1"



Pedro De Figueiredo
PE 52609
06/13/2025

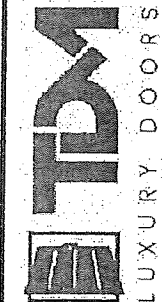
ENGINEERING SERVICES - (305) 524-5199
631 SEAFORT BLVD.
CAPE CANAVERAL, FL 32920
PPMF@AOL.COM
ENGINEER'S SEAL
PEDRO DE FIGUEIREDO
PE 52609



PRODUCT CATEGORY: OUTSWING DOORS
PRODUCT MATERIAL: WOOD / GLASS
IMPACT RATING: LARGE & SMALL MISSILE

TROPICAL 10
OUTSWING DOORS

T: (305) 640-1154
F: (305) 513-4118
C: (305) 614-0664
E: rquillifo@tropicaldoors.com
W: www.tropicaldoors.com



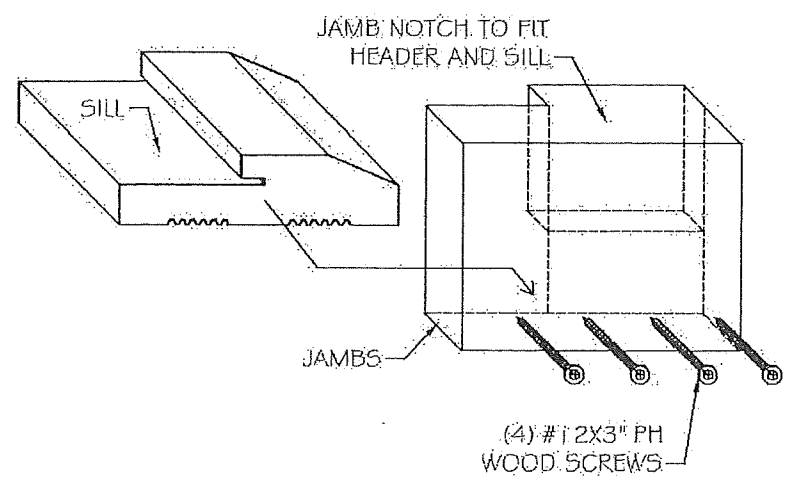
MIAMI-DADE BCCO:

Approved as complying with the Florida Building Code
Date: 2025.07.17
NOA#: 25-0312.11
Miami Dade Product Control
By: [Signature]

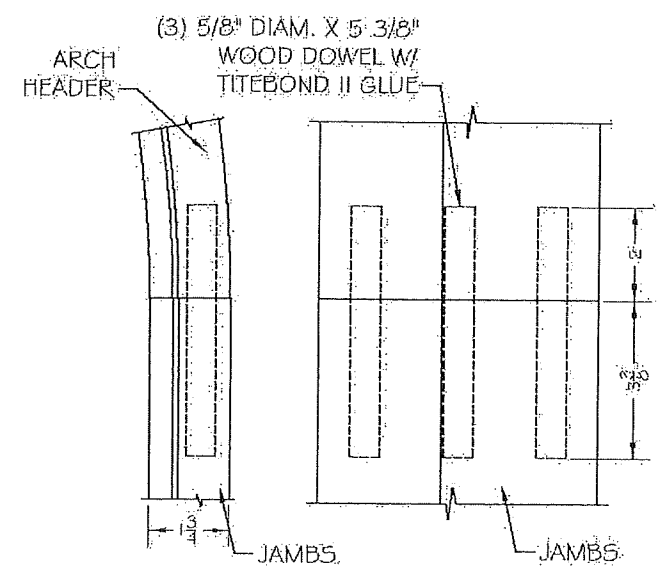
SCALE: NA
DATE: 06/10/2025
DRAWING #: 24-124-G
SHEET: 9 OF 12

FRAMING CORNER ASSEMBLY

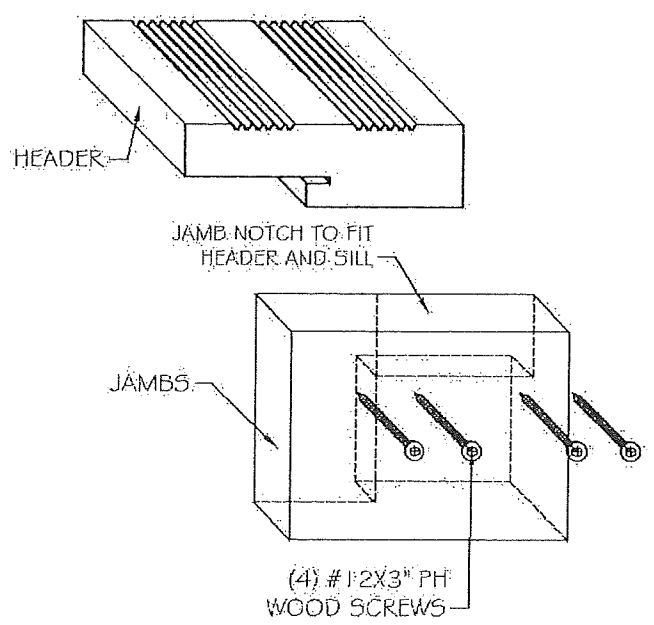
SILL / JAMB CORNER
ALL MODELS



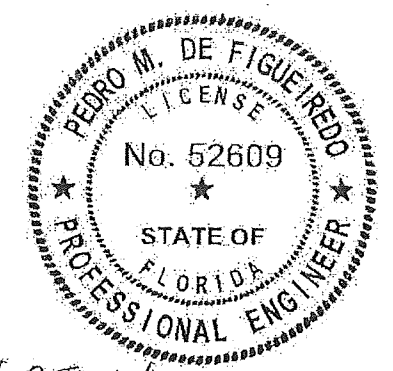
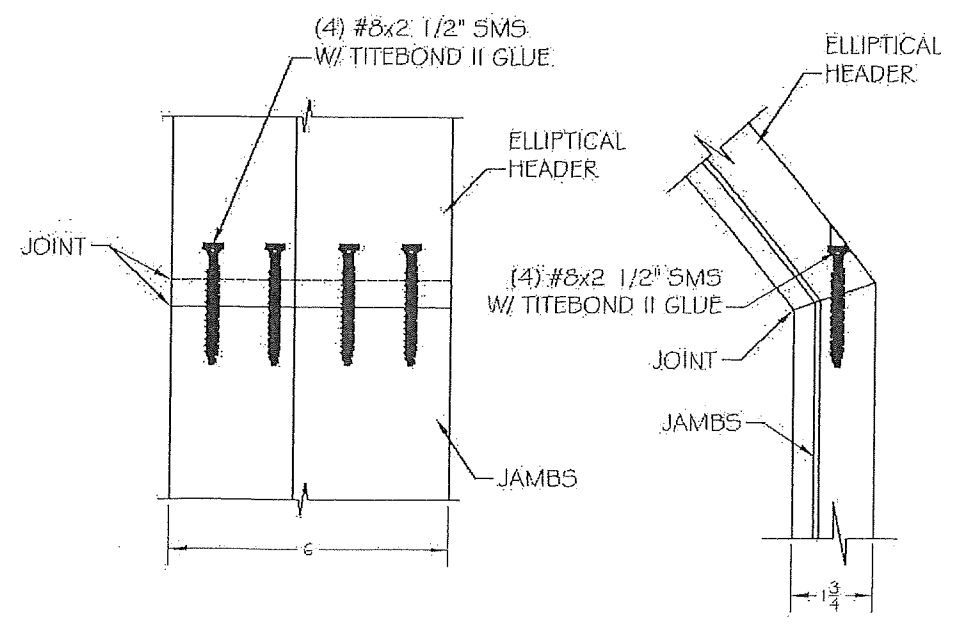
HEADER / JAMB CORNER
MODEL B



HEADER / JAMB CORNER
MODEL A



HEADER / JAMB CORNER
MODEL C



Pedro De Figueiredo
PE 52609
06/13/2025

ENGINEERING SERVICES - CA 32459
631 SEAPORT BLVD.
CAPE CANAVERAL, FL 32920
PPMF@AOL.COM
ENGINEER SEAL
PEDRO DE FIGUEIREDO
PE-52609



PRODUCT CATEGORY: OUTSWING DOORS
PRODUCT MATERIAL: WOOD / GLASS
IMPACT RATING: LARGE & SMALL MISSILE
TROPICAL 10
OUTSWING DOORS

T: (305) 640-1154
F: (305) 513-4118
C: (305) 614-0664
E: rquillifo@imdoors.com
W: www.imdoors.com



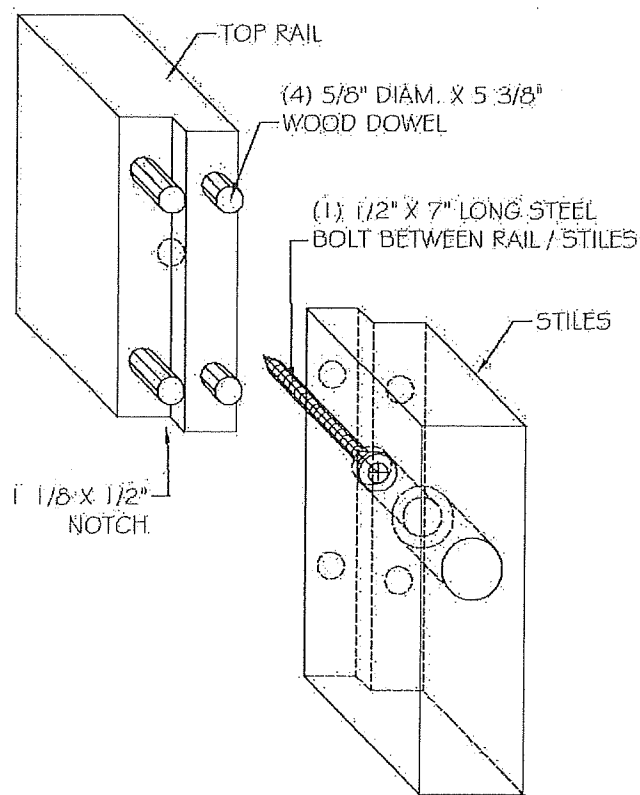
MIAMI-DADE BCCO:

Approved as complying with the
Florida Building Code
Date JUL 17, 2025
NOA# 25-0312.11
Miami Dade Product Control
By Blang I. Chumb

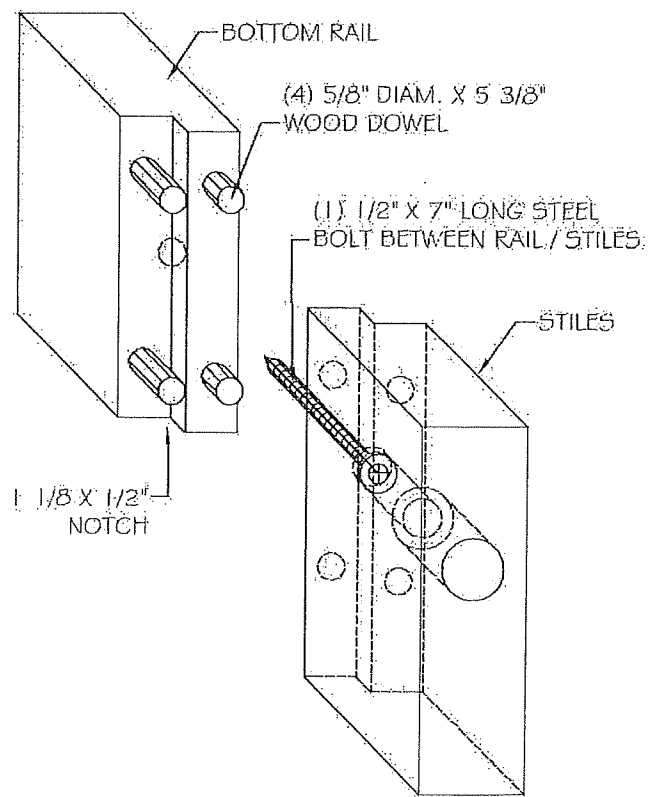
SCALE: NA
DATE: 06/10/2025
DRAWING #: 24-124-G
SHEET: 10 OF 12

GLAZED DOOR CORNER ASSEMBLY

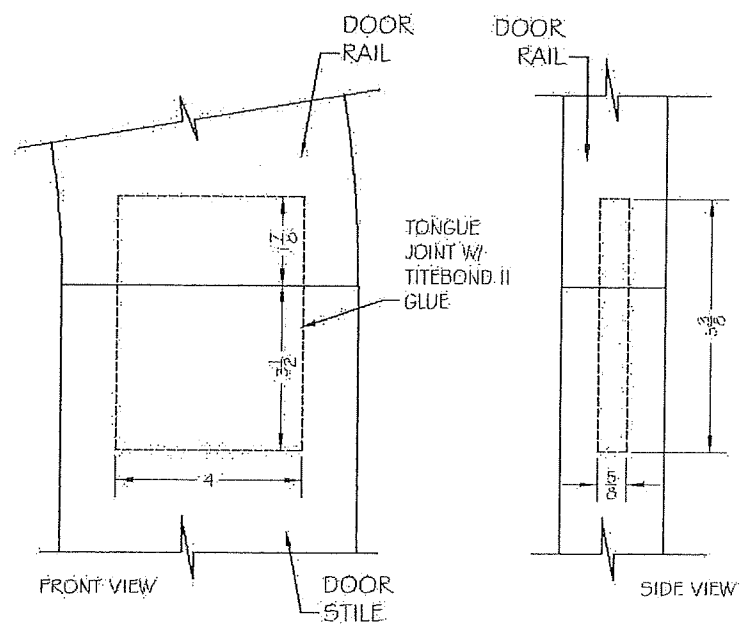
TOP DOOR SLAB
CORNER ASSEMBLY
MODEL A



BOTTOM DOOR SLAB
CORNER ASSEMBLY
ALL MODELS



TOP DOOR SLAB
CORNER ASSEMBLY
MODELS B & C



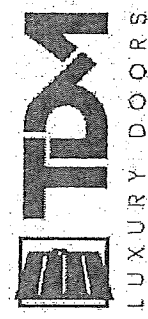
Pedro De Figueiredo
PE 52609
06/13/2025



PRODUCT CATEGORY: OUTSWING DOORS
PRODUCT MATERIAL: WOOD / GLASS
IMPACT RATING: LARGE & SMALL MISSILE

TROPICAL 10
OUTSWING DOORS

T: (305) 640-1154
F: (305) 513-4118
C: (305) 614-0664
E: rguilfo@tropicaldoors.com
W: www.tropicaldoors.com



MIAMI-DADE BCCO:

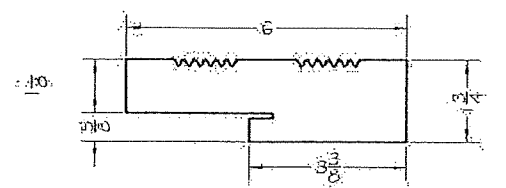
Approved as complying with the
Florida Building Code
Date: JUL 17, 2025
NOA#: 25-0312-11
Miami Dade Product Control
By: [Signature]

SCALE:	NA
DATE:	06/10/2025
DRAWING #	24-124-G
SHEET	11 OF 12

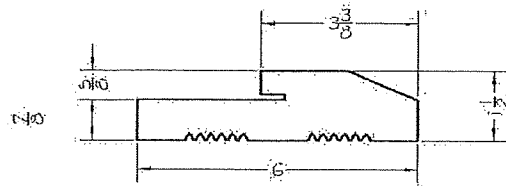
ENGINEERING SERVICES - CA 92469
631 SEAFORT BLVD.
CAPE CANAVERAL, FL 32920
PPMF@AOL.COM
ENGINEER SEAL
PEDRO DE FIGUEIREDO
PE-52609

DOOR COMPONENTS

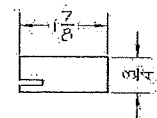
FRAME



1- JAMB, MULL, & HEADER FRAME



2- SILL FRAME



2A- SILL DOUBLE WEATHERSTRIPPING

WEATHER STRIPPING

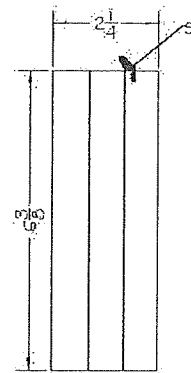
- 8- ES-650 WEATHERSTRIP
- 9- DOOR 12407 WEATHERSTRIP 3/8" KERF FS

SLAB

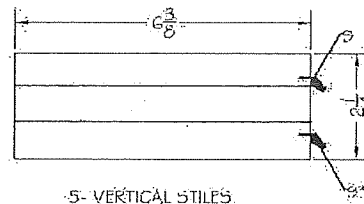
DOOR RAILS AND VERTICAL STILES

STILES AND RAILS ARE BUTCHER BLOCK LAMINATED WOOD

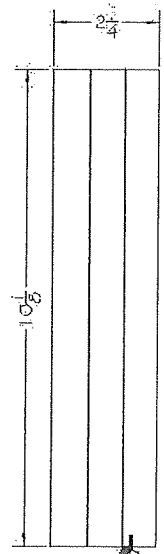
9" ADD EXTRA FOR BUTT HINGE INSTALLATION



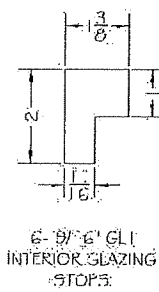
3- TOP RAIL



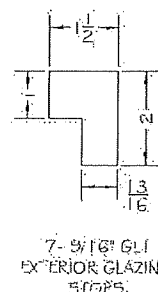
5- VERTICAL STILES



4- BOTTOM RAIL



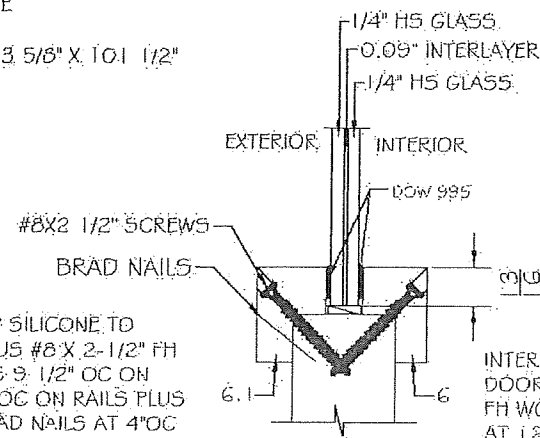
6- 9/16" GLI INTERIOR GLAZING STOPS



7- 9/16" GLI EXTERIOR GLAZING STOPS

GLI - 9/16" LAMINATED HS GLASS
0.09" TROSIFOL PVB INTERLAYER BY KURARAY
1 3/16" GLASS BITE

MAXIMUM DLO: 33 5/8" X 101 1/2"

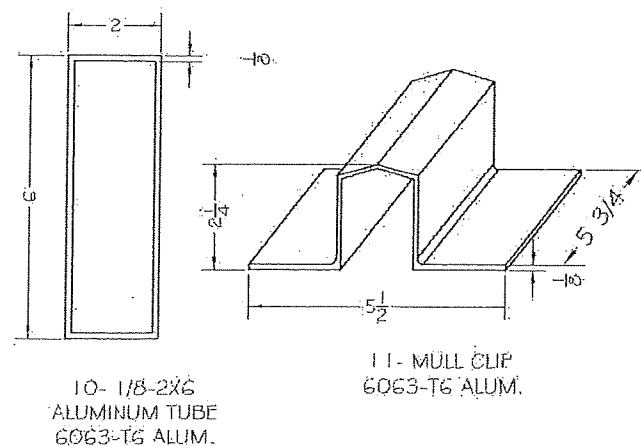


EXTERIOR STOP SILICONE TO DOOR SLAB PLUS #8 X 2-1/2" FH WOOD SCREWS 9-1/2" OC ON STILES AND 8" OC ON RAILS PLUS #18 X 1 1/4" BRAD NAILS AT 4" OC

INTERIOR STOP SILICONE TO DOOR SLAB PLUS #8 X 2-1/2" FH WOOD SCREWS SPACED AT 12" OC

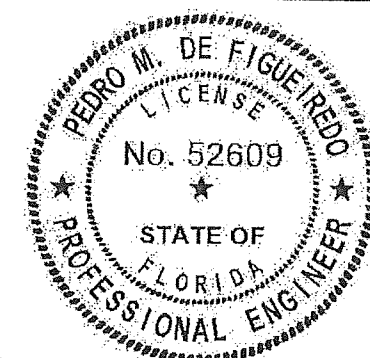
BILL OF MATERIALS

ITEM	DESCRIPTION	MATERIAL
1	1 3/4" X 6" JAMB OR HEADER FRAMING	MAHOGANY WOOD
2	1 1/2" X 6" SILL THRESHOLD FRAMING	MAHOGANY WOOD
2A	1 7/8" X 3/4" SILL DOUBLE WEATHER STRIPPING HOLDER	MAHOGANY WOOD
3	2 1/4" X 6 3/8" DOOR TOP RAIL	MAHOGANY WOOD
4	2 1/4" X 10 1/8" DOOR BOTTOM RAIL	MAHOGANY WOOD
5	2 1/4" X 6 3/8" DOOR VERTICAL STILES	MAHOGANY WOOD
6	9/16" GLI INTERIOR GLAZING STOPS	MAHOGANY WOOD
7	9/16" GLI EXTERIOR GLAZING STOPS	MAHOGANY WOOD
8	ES-650 FRAMING WEATHER STRIPPING	RUBER
9	12407 DOOR WEATHER STRIPPING	RUBER
10	1/8-2X6 MULLION	6063-T6 ALUMINUM
11	MULL CLIP	6063-T6 ALUMINUM



10- 1/8-2X6 ALUMINUM TUBE 6063-T6 ALUM.

11- MULL CLIP 6063-T6 ALUM.



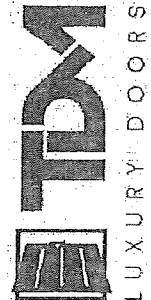
Pedro De Figueiredo
PE 52609
06/10/2025



PRODUCT CATEGORY: OUTSWING-DOORS
PRODUCT MATERIAL: WOOD / GLASS
IMPACT RATING: LARGE + SMALL MISSILE

TROPICAL 10
OUTSWING-DOORS

T: (305) 640-1154
F: (305) 513-4118
C: (305) 614-0664
E: rj@trnddoors.com
W: www.trnddoors.com



MIAMI-DADE BCCO:

Approved as complying with the Florida Building Code
Date: JUL 17 2025
NOA#: 25-0312.11
Miami Dade Product Control

By: [Signature]

SCALE: NA
DATE: 06/10/2025
DRAWING #: 24-124-G
SHEET: 12 OF 12