



DEPARTMENT OF REGULATORY AND ECONOMIC RESOURCES (RER)  
BOARD AND CODE ADMINISTRATION DIVISION

**NOTICE OF ACCEPTANCE (NOA)**

MIAMI-DADE COUNTY  
PRODUCT CONTROL SECTION  
11805 SW 26 Street, Room 208  
Miami, Florida 33175-2474  
T (786) 315-2590 F (786) 315-2599  
[www.miamidade.gov/economy](http://www.miamidade.gov/economy)

**Endeavour Miami, LLC, dba Tropical Doors & Moulding**  
6911 N. W. 87<sup>th</sup> Avenue,  
Miami, FL 33178

**SCOPE:**

This NOA is being issued under the applicable rules and regulations governing the use of construction materials. The documentation submitted has been reviewed and accepted by Miami-Dade County RER -Product Control Section to be used in Miami Dade County and other areas where allowed by the Authority Having Jurisdiction (AHJ).

This NOA shall not be valid after the expiration date stated below. The Miami-Dade County Product Control Section (In Miami Dade County) and/or the AHJ (in areas other than Miami Dade County) reserve the right to have this product or material tested for quality assurance purposes. If this product or material fails to perform in the accepted manner, the manufacturer will incur the expense of such testing and the AHJ may immediately revoke, modify, or suspend the use of such product or material within their jurisdiction. RER reserves the right to revoke this acceptance, if it is determined by Miami-Dade County Product Control Section that this product or material fails to meet the requirements of the applicable building code.

This product is approved as described herein and has been designed to comply with the Florida Building Code, including the High Velocity Hurricane Zone.

**DESCRIPTION: Series "Tropical 10" Single Outswing Opaque Wood Doors-L.M.I.**

**APPROVAL DOCUMENT:** Drawing No. 24-124-O, titled "Series Tropical 10-Opaque Outswing Doors", sheets 1 through 11 of 11, dated 06/13/2025, prepared by PPMF, Inc., signed and sealed by Pedro M. De Figueiredo, P.E., bearing the Miami-Dade County Product Control Approval stamp with the Notice of Acceptance number and approval date by the Miami-Dade County Product Control Section.

**MISSILE IMPACT RATING: Large and Small Missile Impact Resistant**

**Limitations:**

1. Maximum three (3) mulled Single units' configurations as depicted in sheet 5 are allowed.
2. See sheet 11 for mullion details, mullion clips and installations.
3. CMU (grouted or un-grouted) substrate is applicable to Jambs only.

**LABELING:** Each unit shall bear a permanent label with the manufacturer's name or logo, city, state and series and following statement: "Miami-Dade County Product Control Approved", noted herein.

**RENEWAL** of this NOA shall be considered after a renewal application has been filed and there has been no change in the applicable building code negatively affecting the performance of this product.

**TERMINATION** of this NOA will occur after the expiration date or if there has been a revision or change in the materials, use, and/or manufacture of the product or process. Misuse of this NOA as an endorsement of any product, for sales, advertising or any other purposes shall automatically terminate this NOA. Failure to comply with any section of this NOA shall be cause for termination and removal of NOA.

**ADVERTISEMENT:** The NOA number preceded by the words Miami-Dade County, Florida, and followed by the expiration date may be displayed in advertising literature. If any portion of the NOA is displayed, then it shall be done in its entirety.

**INSPECTION:** A copy of this entire NOA shall be provided to the user by the manufacturer or its distributors and shall be available for inspection at the job site at the request of the Building Official.

This NOA consists of this page 1 and evidence page E-1, as well as the approval document mentioned above.

The submitted documentation was reviewed by **Ishaq I. Chanda, P.E.**

*Handwritten signature and date: 7/10/25*



NOA No. 25-0312.12  
Expiration Date: July 17, 2030  
Approval Date: July 17, 2025  
Page 1

**NOTICE OF ACCEPTANCE: EVIDENCE SUBMITTED**

**1. Evidence submitted**

**A. DRAWINGS**

1. Manufacturer's parts drawings and sections
2. Drawing No. **24-124-O**, titled "Series Tropical 10-Opaque Outswing Doors", sheets 1 through 11 of 11, dated 06/13/2025, prepared by PPMF, Inc., signed and sealed by Pedro M. De Figueiredo, P.E.

**B. TESTS**

1. Test reports on:
  - 1) Air Infiltration Test, per FBC, TAS 202-94
  - 2) Uniform Static Air Pressure Test, Loading per FBC TAS 202-94
  - 3) Water Resistance Test, per FBC, TAS 202-94
  - 4) Large Missile Impact Test per FBC, TAS 201-94
  - 5) Cyclic Wind Pressure Loading per FBC, TAS 203-94
  - 6) Forced Entry Test, per FBC 2411 3.2.1, TAS 202-94

along with marked-up drawings and installation diagrams of Single Outswing Wood Doors, prepared by QAI Laboratories, Test Report No. **21-1033a**, dated 02/10/25, signed and sealed by Idalmis Ortega, P. E.

**C. CALCULATIONS**

1. Anchor Calculations and structural analysis, complying with FBC2023 (8<sup>th</sup> edition), prepared by PPMF Inc., dated 01/15/2025, signed and sealed by Pedro De Figueiredo, P.E.

**D. QUALITY ASSURANCE**

1. Miami Dade Department of Regulatory and Economic Resources (RER).

**E. MATERIAL CERTIFICATIONS**

1. None.

**F. STATEMENTS**

1. Statement letter of conformance to FBC 2023 (8<sup>th</sup> Edition), prepared by PPMF Inc., dated 01/15/2025, signed and sealed by Pedro M. DeFigueiredo, P.E.
2. Statement of lab compliance, as part of the test report.

**G. OTHER**

1. Division of Corporation, State of Florida, listing # L04000093244 of Endeavour Miami, LLC as active, since 02/22/2024.
2. Division of Corporation, State of Florida, fictitious listing # G22000118083 of Tropical Doors and Moulding as active, since 09/19/2022.

*Ishaq I. Chanda*

**Ishaq I. Chanda, P.E.**  
**Product Control Unit Supervisor**  
**NOA No. 25-0312.12**  
**Expiration Date: July 17, 2030**  
**Approval Date: July 17, 2025**

# TROPICAL 10 - OPAQUE

SINGLE OPAQUE OUT-SWING DOORS W/ & W/O SIDELITES  
WITH CLIPPED ALUMINUM MULLIONS



Pedro De Figueiredo  
PE 52609  
06/13/2025



ENGINEERING SERVICES CA 32459  
631 SEAFORT BLVD.  
CAFE CANAVERAL, FL 32920  
PFMF@AOL.COM  
ENGINEER SEAL  
PEDRO DE FIGUEIREDO  
PE 52609



**GENERAL NOTES:**  
FLORIDA BUILDING CODE 2023 - 8th EDITION  
HIGH VELOCITY HURRICANE ZONES - HVHZ  
LARGE & SMALL MISSILE IMPACT RATED

- DEFINITION: THIS PRODUCT IS AN OUT-SWING OPAQUE MAHOGANY DOOR W/ OR W/O SIDELITES, DESIGNED, CONSTRUCTED AND ERECTED TO ENCLOSE AN AREA, PROVIDING PROTECTION FROM HURRICANE FORCE WINDS WITHIN THE ALLOWABLE DESIGNED PRESSURES AND LIMITATIONS STATED IN THIS APPROVAL.
- CODE: THIS PRODUCT HAS BEEN TESTED AND DESIGNED IN ACCORDANCE WITH THE FBC 2023 - 8th, HIGH VELOCITY HURRICANE ZONES (HVHZ), TEST PROTOCOLS: TAS 202-94, TAS 201-94 AND TAS 203-94.
- POSTING: A PERMANENT LEGIBLE DECAL SHALL BE PLACED AT A READILY VISIBLE LOCATION STATING THE FOLLOWING:  
"TROPICAL DOORS AND MOULDING LLC - MIAMI - FLORIDA  
LARGE MISSILE IMPACT RESISTANT  
TROPICAL 10 OUT-SWING OPAQUE DOOR  
MIAMI-DADE COUNTY PRODUCT APPROVED"
- LOADS: DESIGNED LOAD CALCULATED BASED ON THE ASCE 7-22 AND PROVIDED BY A PROFESSIONAL ARCHITECT OR ENGINEER FOR EACH SPECIFIC PROJECT. THE CALCULATED DESIGNED PRESSURE MUST NOT EXCEED THE ALLOWABLE PRESSURES (ASD) HEREIN SPECIFIED. THE ULTIMATE PRESSURES, AS DETERMINED FROM ASCE 7-22, ARE TO BE MULTIPLIED BY 0.6 TO OBTAIN THE ASD DESIGN PRESSURES.
- MATERIAL: ALL WOOD MATERIAL TO BE FABRICATED FROM KILN DRIED MAHOGANY.
- FASTENERS: ASSEMBLY SCREWS AND ANCHORS SHALL BE AS SPECIFIED IN THE CURRENT SET OF DRAWINGS. INSTALLATION AND LOADS AS PER THIS APPROVAL.
- USE: IT SHALL BE THE RESPONSIBILITY OF THE CONTRACTOR, ARCHITECT OR ENGINEER OF RECORD TO VERIFY THE FOLLOWING:
  - THE STABILITY OF THE STRUCTURE WHERE THE DOOR IS TO BE ATTACHED INSURING PROPER ANCHORAGE.
  - THE SITE SPECIFIC PROJECT CRITERIA, SUCH AS BUT NOT LIMITED TO, WIND LOADS, LOCAL CODE REQUIREMENTS, DESIGNED PRESSURES ETC.
  - THAT THIS APPROVAL IS ADEQUATE TO THE SPECIFIC PROJECT.

### TABLE OF CONTENTS

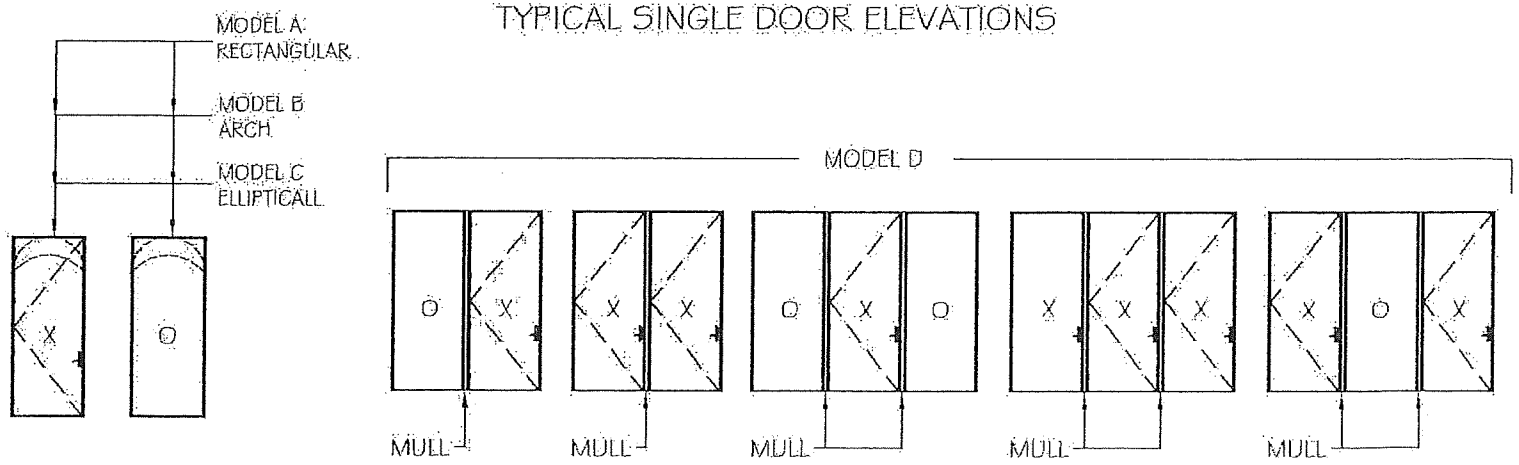
SHEET	DESCRIPTION
1	GENERAL NOTES, DESIGN RATING, TABLE OF CONTENTS, TYPICAL ELEVATIONS
2	MODEL A - RECTANGULAR OUT-SWING AND FIXED DOORS
3	MODEL B - ARCH OUT-SWING AND FIXED DOORS
4	MODEL C - ELLIPTICAL OUT-SWING AND FIXED DOORS
5	MODEL D - SINGLE DOOR W/ MULLIONS - PART 1
6	MODEL D - HARDWARE OPTIONS - PART 2
7	OPAQUE SINGLE OUT-SWING CROSS SECTIONS
8	OPAQUE CROSS SECTIONS - SIDELITE
9	FRAMING ANCHORAGE
10	FRAMING CORNER ASSEMBLY
11	DOOR COMPONENTS, BILL OF MATERIALS

**WOOD TYPE:**  
VERNACULAR NAME: TRUE MAHOGANY OR SIMILAR  
SCIENTIFIC NAME: SWietenia Macrophylla G. KING  
FAMILY: MELIACEAE  
MINIMUM SPECIFIC GRAVITY: SG = 0.45

**GLASS TYPE (GLI):**  
9/16" LAMINATED IMPACT GLASS  
TROSIFOL PVB BY KURARAY  
SEE SHEET 12 FOR MORE DETAILS

DESIGNED PRESSURE RATING  
 $P_d = +70, -70$  PSF (ASD)  
LARGE MISSILE IMPACT RATED

### TYPICAL SINGLE DOOR ELEVATIONS

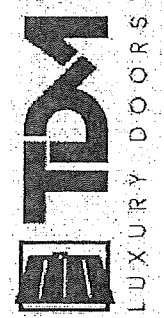


MIAMI-DADE BCCO:

Approved as complying with the Florida Building Code  
Date: JUL 17, 2025  
NOA#: 25-0312-12  
Miami Dade Product Control  
By: Ishag I. Uvande

PRODUCT CATEGORY: OUTSWING DOORS  
PRODUCT MATERIAL: WOOD  
IMPACT RATING: LARGE & SMALL MISSILE  
TROPICAL 10 - OPAQUE  
OUTSWING DOORS

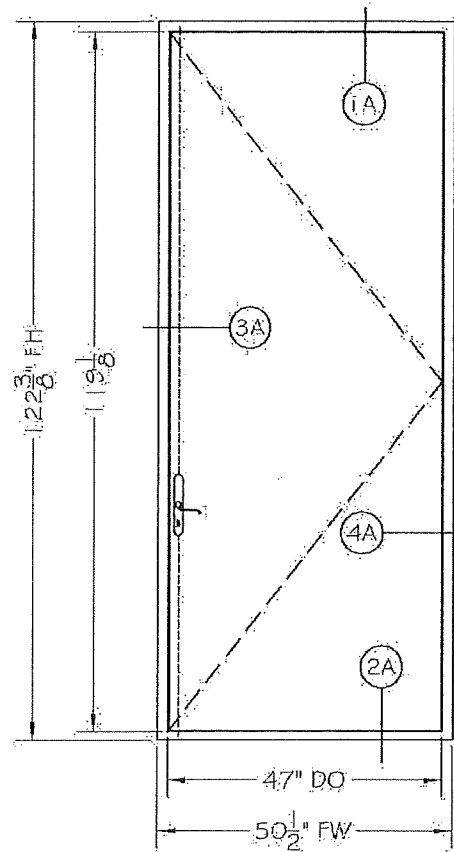
T: (305) 640-1154  
F: (305) 513-4118  
C: (305) 614-0664  
E: [info@tmdoors.com](mailto:info@tmdoors.com)  
W: [www.tmdoors.com](http://www.tmdoors.com)



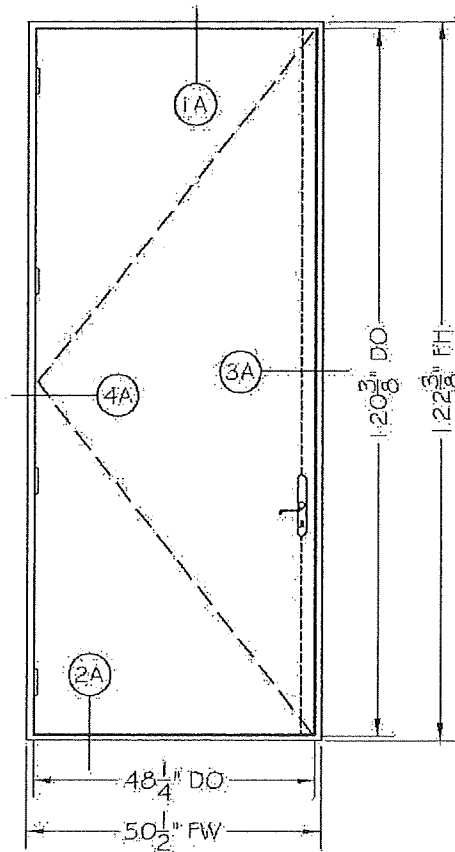
SCALE: NA  
DATE: 06/13/2025  
DRAWING #: 24-124-0  
SHEET: 1 OF 11

MODEL A - RECTANGULAR

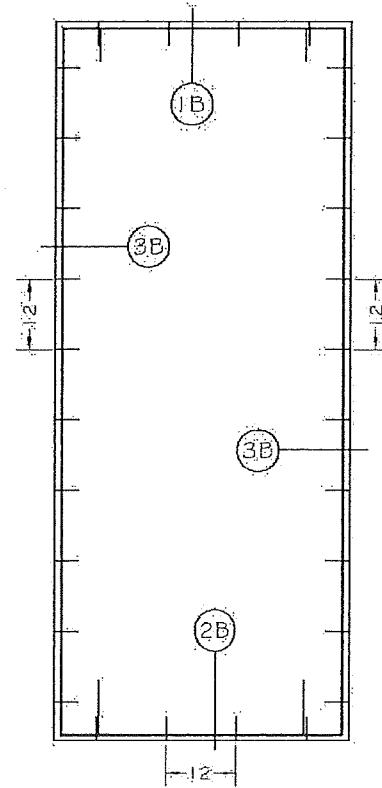
SINGLE SWING-OUT INTERIOR ELEVATION



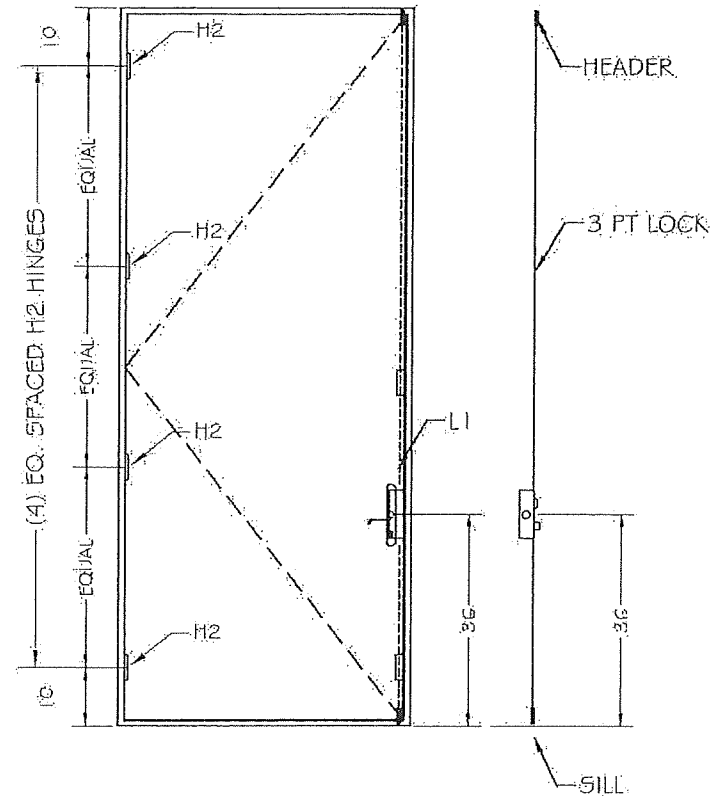
SINGLE SWING-OUT EXTERIOR ELEVATION



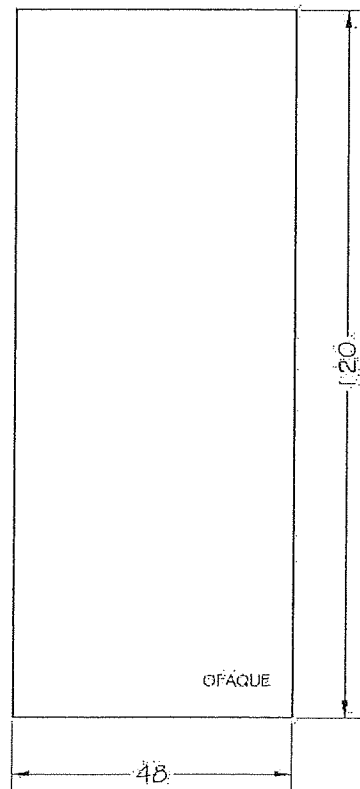
SINGLE SIDELITE FIXED ELEVATION



SINGLE SWING-OUT HARDWARE

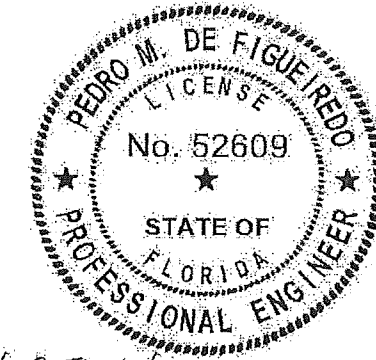


OPAQUE DOOR SLAB



MARK A HARDWARE

MARK	DESCRIPTION
L1	ONE CONCEALED MOUNT STAINLESS STEEL "GU / EMTEK" 5 PT LOCK SYSTEM ( 3 PT AT JAMBS AND 2 PT AT HEADER AND SILL) WITH ACTIVATION LEVER TYPE HANDLE AND THUMB TURN OPERATOR ON THE INSIDE AND KEY OPERATOR ON THE EXTERIOR.
H2	FOUR JACO CONCEALED HINGES 3 WAY MODEL WBC 1-2C 1 1/8" X 6-7/8" SECURED WITH (6) #10X 1 1/2" FH SMS LOCATED 10", 44 1/4", 77 1/2" AND 111" FROM BOTTOM
K1	THREE "GU" CONCEALED MOUNTED STAINLESS STEEL STRIKE PLATE SECURED TO FRAME JAMB WITH (4) 1/4" X 3 3/4" CONCRETE FASTENERS.
K2	TWO "GU" SURFACE MOUNTED STAINLESS STEEL STRIKE PLATE SECURED TO FRAME HEADER AND THRESHOLD WITH (4) 1/4" X 3 3/4" CONCRETE FASTENERS - 45" FROM JAMB



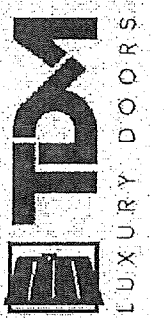
Pedro De Figueiredo  
PE 52609  
06/13/2025

ENGINEERING SERVICES - CA 92453  
631 SEAPORT BLVD  
CAPE CANAVERAL, FL 32920  
PPMF@AOL.COM  
ENGINEER SEAL  
PEDRO DE FIGUEIREDO  
PE 52609



PRODUCT CATEGORY: OUTSWING DOORS  
PRODUCT MATERIAL: WOOD  
IMPACT RATING: LARGE & SMALL MISSILE  
TROPICAL 10 - OPAQUE  
OUTSWING DOORS

T: (805) 640-1154  
F: (305) 513-4118  
C: (305) 614-0664  
E: tfiguifo@tmdoors.com  
W: www.tmdoors.com



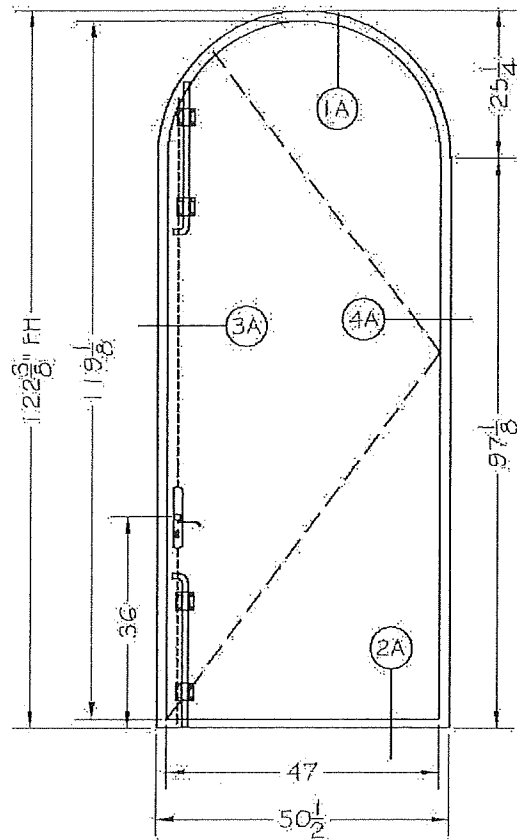
MIAMI-DADE BCCO:

Approved as complying with the Florida Building Code  
Date: Jul 17, 2025  
NOA# 25-0312.12  
Miami Dade Product Control  
By: Ismael J. Urcade

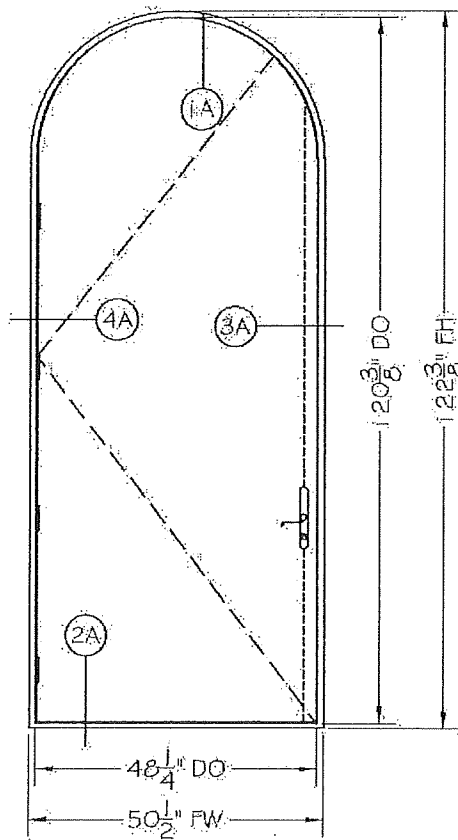
SCALE: NA  
DATE: 06/13/2025  
DRAWING #: 24-124-0  
SHEET 2 OF 11

MODEL B - ARCH

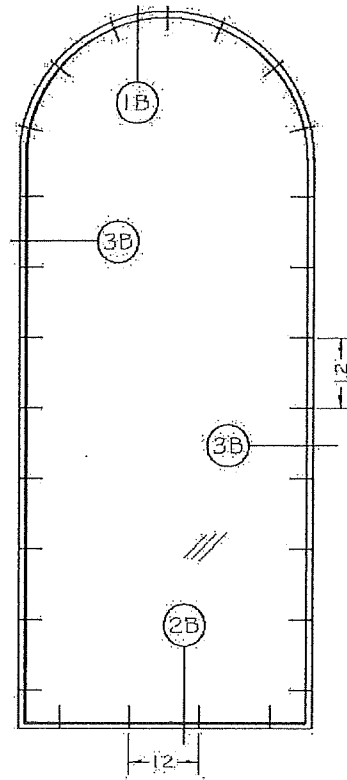
SINGLE SWING-OUT INTERIOR ELEVATION



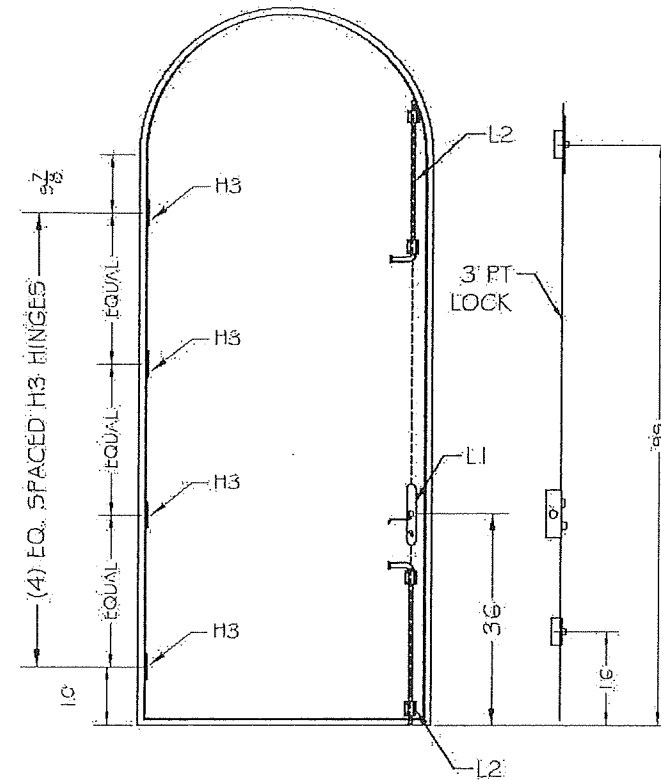
SINGLE SWING-OUT EXTERIOR ELEVATION



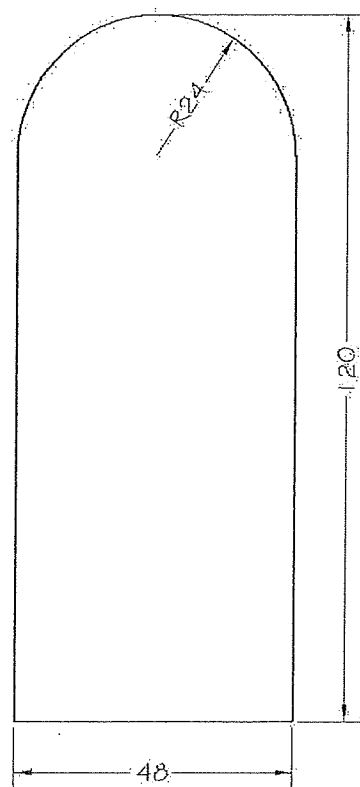
SINGLE SIDELITE FIXED ELEVATION



SINGLE SWING-OUT HARDWARE

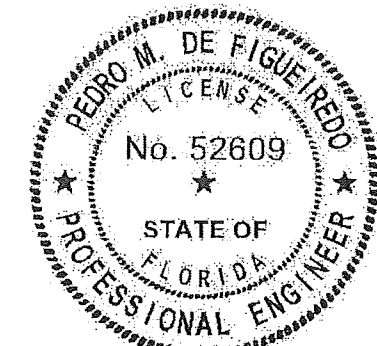


OPAQUE DOOR SLAB



MODEL B HARDWARE

MARK	DESCRIPTION
L1	ONE GU CONCEALED MOUNT STAINLESS STEEL 3 FT (JAMBS ONLY) LOCK SYSTEM WITH ACTIVATION LEVER TYPE HANDLE AND THUMB TURN OPERATOR ON THE INSIDE AND KEY OPERATOR ON THE EXTERIOR.
L2	TWO SOLID BRASS CUSTOM SURFACE MOUNT 26" LONG SLIDE BOLT SECURED WITH (8) #10 X 1 1/2" FH SMS
H3	FOUR STAINLESS STEEL TECTUS CONCEALED MOUNTED HINGES SECURED WITH (6) #10 X 1 1/2" FH SMS. 10" FROM BOTTOM AND EQUALLY SPACED AT JAMB.
K2	THREE GU CONCEALED MOUNTED SS STRIKE PLATE SECURED TO FRAME JAMB WITH (6) 1/4" X 3 1/4" CONCRETE FASTENERS
K3	ONE CUSTOM MADE SURFACE MOUNTED STEEL STRIKE PLATE SECURED TO FRAME THRESHOLD AT 46" FROM JAMB WITH (4) 1/4" X 3 1/4" CONCRETE FASTENERS
K31	ONE CUSTOM MADE SURFACE MOUNTED STEEL KEEPER SECURED TO FRAME HEADER WITH (2) #6 X 1 1/4" FH SMS

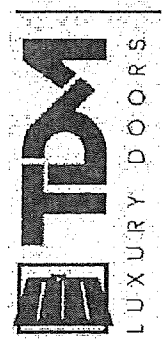


Pedro De Figueiredo  
PE 52609  
06/13/2025



PRODUCT CATEGORY: OUTSWING DOORS  
PRODUCT MATERIAL: WOOD  
IMPACT RATING: LARGE & SMALL MISSILE  
TROPICAL 10 - OPAQUE  
OUTSWING DOORS

T: (305) 640-1154  
F: (305) 513-4118  
C: (305) 614-0684  
E: [info@tmdoors.com](mailto:info@tmdoors.com)  
W: [www.tmdoors.com](http://www.tmdoors.com)



MIAMI-DADE BCCO:

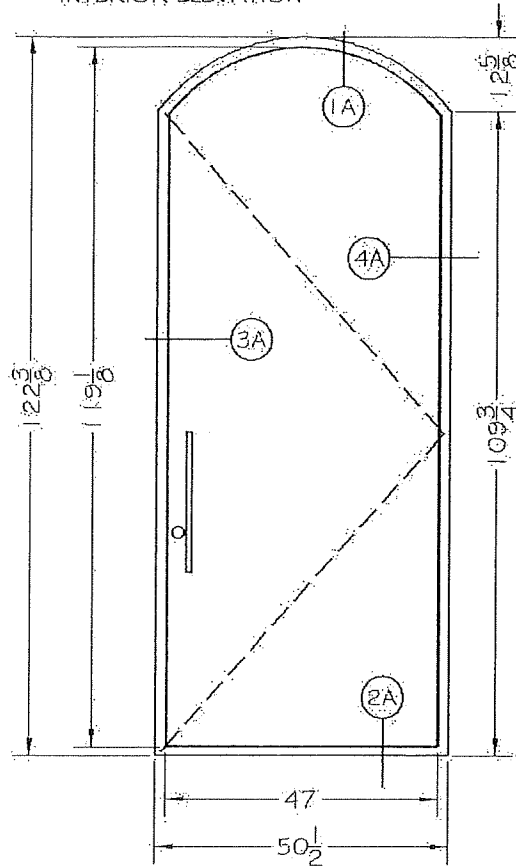
Approved as complying with the  
Florida Building Code  
Date JUL 17, 2025  
NOA# 25-0312.12  
Miami Dade Product Control

By Ismael L. Chaves

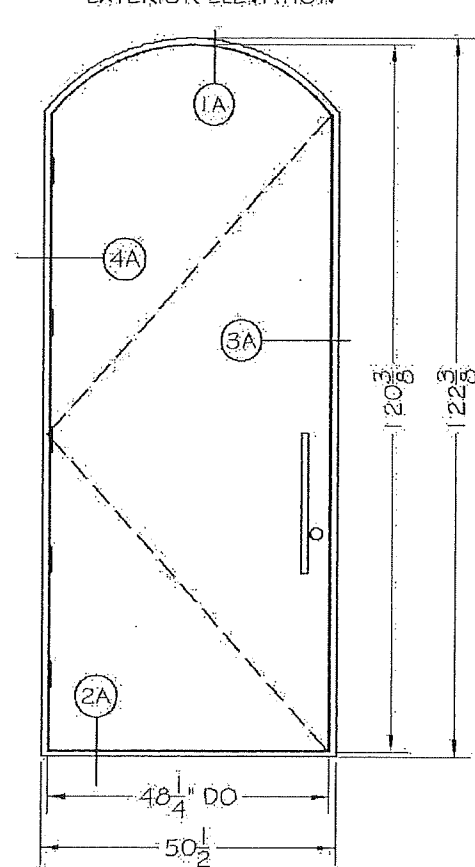
SCALE: NA  
DATE: 06/13/2025  
DRAWING #: 24-124-0  
SHEET 3 OF 11

MODEL C - ELLIPTICAL

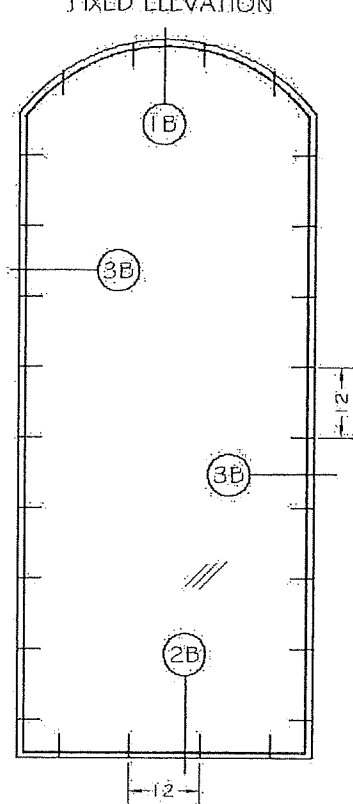
SINGLE SWING-OUT INTERIOR ELEVATION



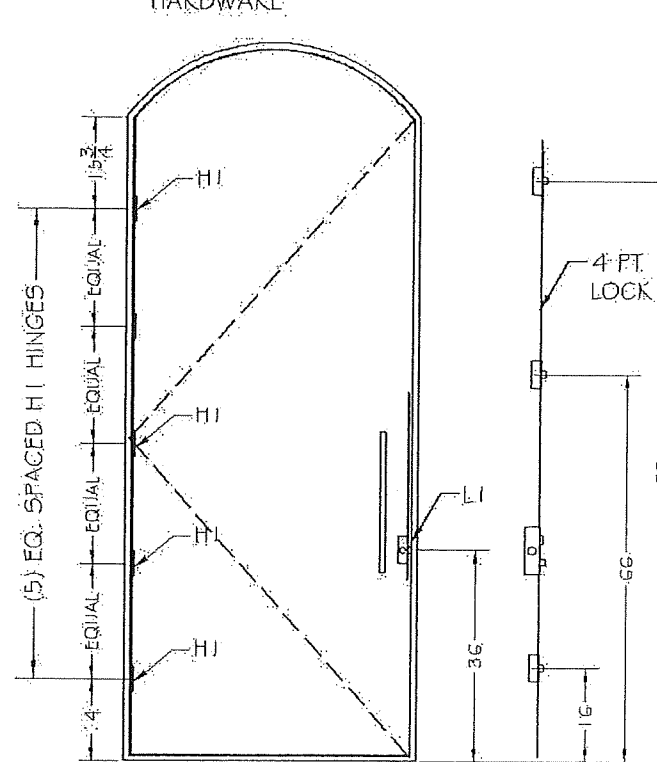
SINGLE SWING-OUT EXTERIOR ELEVATION



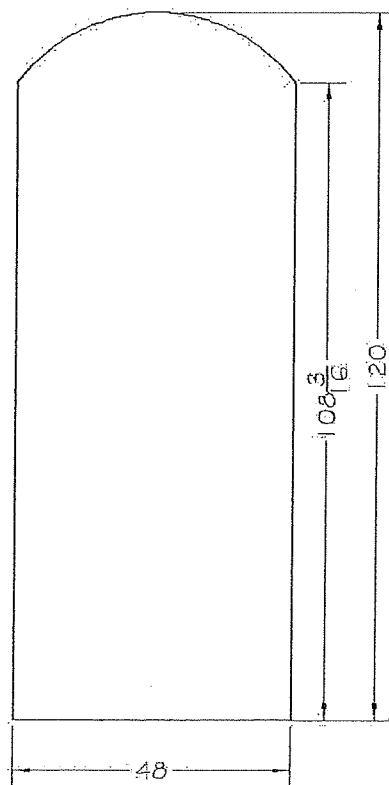
SINGLE SIDELITE FIXED ELEVATION



SINGLE SWING-OUT HARDWARE

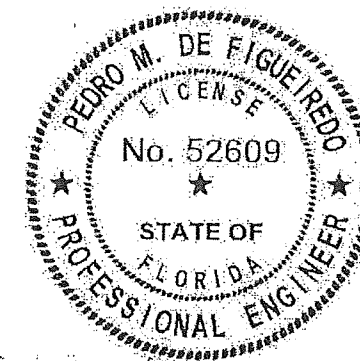


OPAQUE DOOR SLAB



MODEL C HARDWARE

MARK	DESCRIPTION
LI	ONE GU CONCEALED MOUNT STAINLESS STEEL 4 PT (STILE TO JAMB) LOCK SYSTEM WITH ACTIVATION CYLINDER AND THUMB TURN OPERATOR ON THE INSIDE AND KEY OPERATOR ON THE EXTERIOR
HI	FIVE SOLID BRASS DELTANA 4 1/2" BUTT HINGES SECURED WITH (4) #1.2 X 1 1/2" FH SMS 1/4" FROM SILL AND EQUALLY SPACED AT JAMB
KI	FOUR "GU" CONCEALED MOUNTED STAINLESS STEEL STRIKE PLATE SECURED TO FRAME JAMB WITH (4) 1/4" X 3 3/4" CONCRETE FASTENERS.



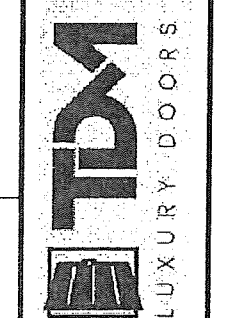
Pedro De Figueiredo  
PE 52609  
06/13/2025

ENGINEERING SERVICES - CA 92459  
631 SEAFORT BLVD  
CAPE CANAVERAL, FL 32920  
PFMIF@AOL.COM  
ENGINEER SEAL  
PEDRO DE FIGUEIREDO  
PE 52609



PRODUCT CATEGORY: OUTSWING DOORS  
PRODUCT MATERIAL: WOOD  
IMPACT RATING: LARGE & SMALL MISSILE  
TROPICAL 10 - OPAQUE  
OUTSWING DOORS

T: (305) 640-1154  
F: (305) 513-4118  
C: (305) 614-0664  
E: tfiguier@tmdoors.com  
W: www.tmdoors.com

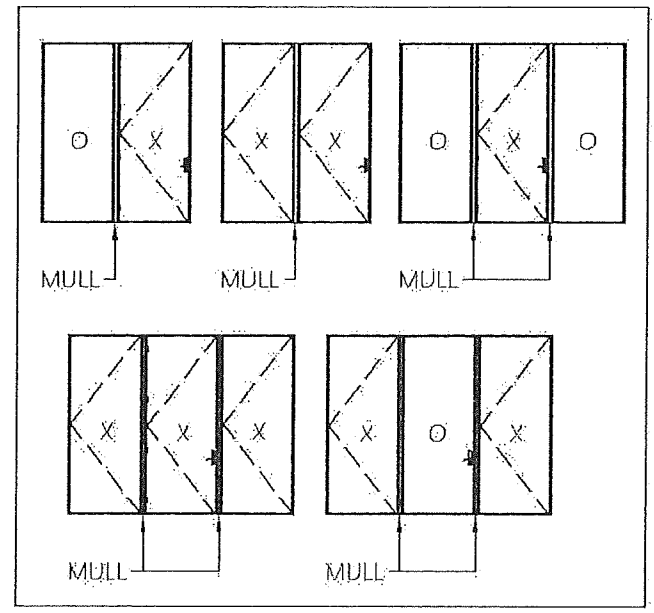
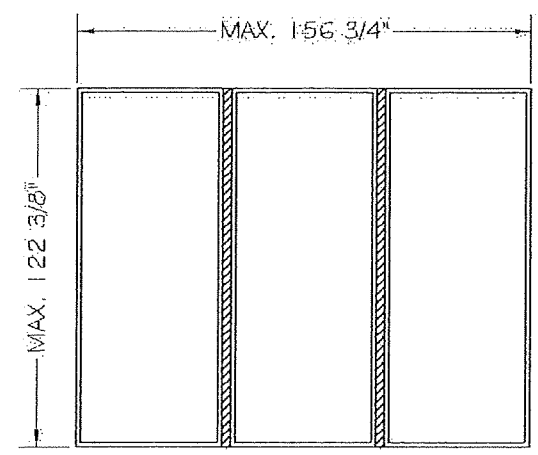


MIAMI-DADE BCCO:  
Approved as complying with the Florida Building Code  
Date: 30/17/2025  
NOA#: 25-0312.12  
Miami Dade Product Control  
By: *[Signature]*

SCALE: NA  
DATE: 06/13/2025  
DRAWING #: 24-124-0  
SHEET: 4 OF 11

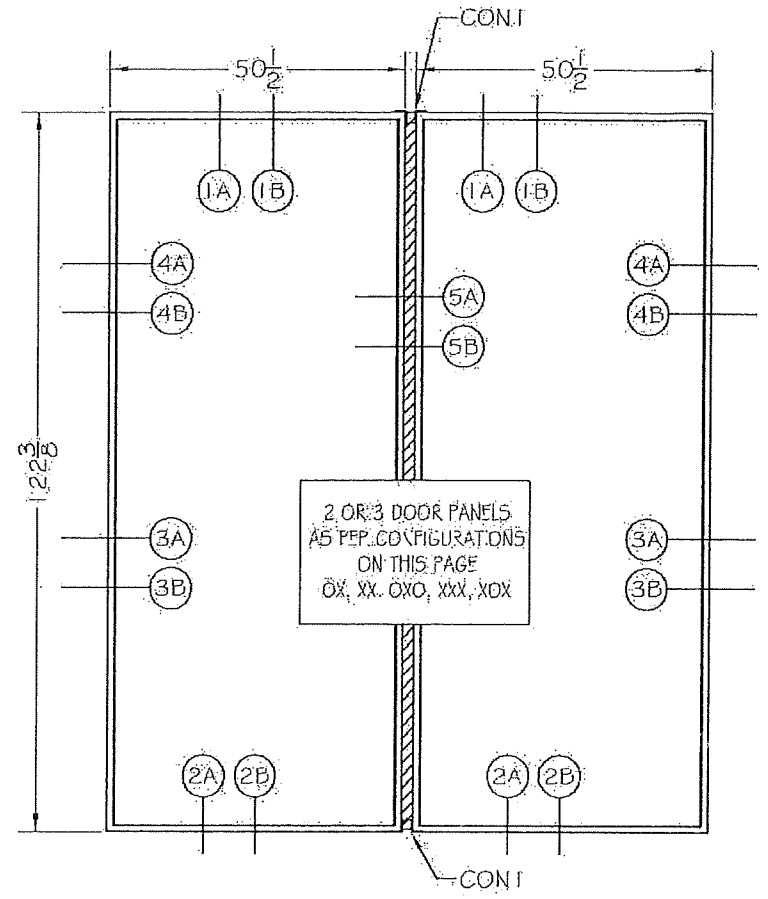
MODEL D - SINGLE DOORS W/ MULLIONS - PART 1

TYPICAL 2 OR 3 SINGLE DOOR PANELS ELEVATIONS

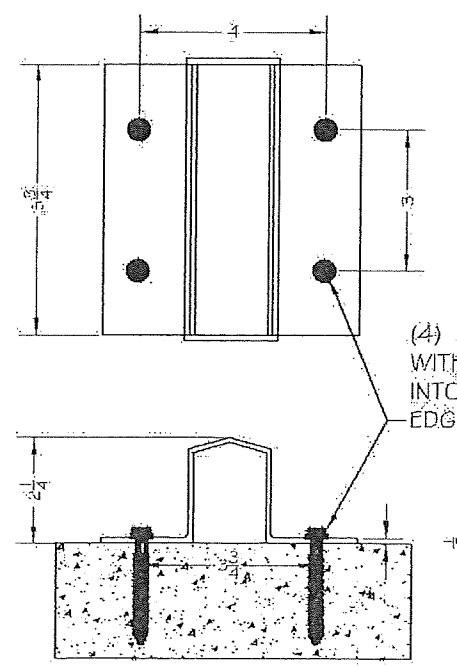


NOTE: SEE SEPARATE PRODUCT APPROVAL FOR GLAZED DOORS

1/8"-2X6 MULLION WITH TOP / BOTTOM CLIPS

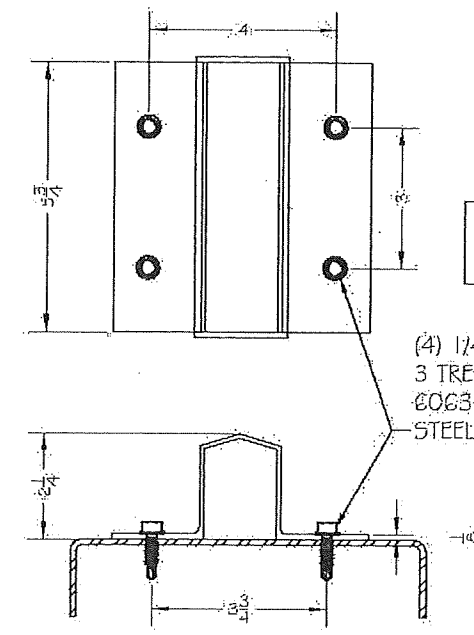


2 OR 3 DOOR PANELS AS PER CONFIGURATIONS ON THIS PAGE  
OX, XX, OXO, XXX, XOX



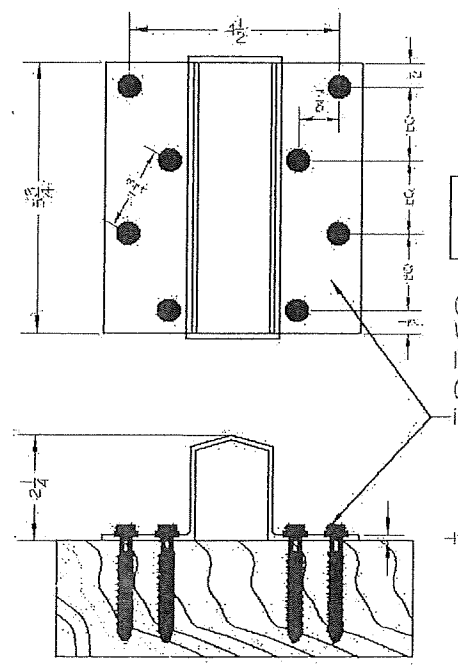
ALUMINUM MULLION ANCHORAGE CON 1 INTO 3 KSI CONCRETE

(4) 1/4" ULTRACONS BY DEWALT WITH 1 3/4" MIN. EMBEDMENT INTO CONCRETE, W/ MIN. 2 1/2" EDGE DISTANCE



ALUMINUM MULLION ANCHORAGE CON 1 INTO 1/8" METAL STRUCTURES.

(4) 1/4"-1.4 SDS GR5 WITH MIN. 3 TREADS INTO 1/8" METAL STRUCTURE 6063-T6 ALUMINUM OR ASTM A36 STEEL MINIMUM 1" ED

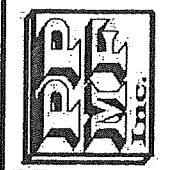


ALUMINUM MULLION ANCHORAGE CON 1 INTO WOOD STRUCTURE

(8) 1/4" ULTRACONS BY DEWALT WITH 1 1/2" MIN. EMBEDMENT INTO WOOD STRUCTURE (SG >= 0.55) W/ MIN. 1" EDGE DISTANCE



Pedro De Figueiredo  
PE 52609  
06/13/2025



PRODUCT CATEGORY: OUTSWING DOORS  
PRODUCT MATERIAL: WOOD  
IMPACT RATING: LARGE & SMALL MISSILE  
TROPICAL 10 - OPAQUE  
OUTSWING DOORS

T: (305) 640-1154  
F: (305) 513-4118  
C: (305) 614-0664  
E: rquillifo@tmddoors.com  
W: www.tmddoors.com



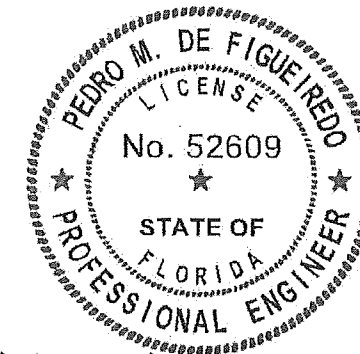
MIAMI-DADE BCCO:

Approved as complying with the Florida Building Code  
Date: Jul 17, 2025  
NOA#: 25-0372.12  
Miami Dade Product Control  
By: [Signature]

SCALE:	NA
DATE:	06/13/2025
DRAWING #	24-124-0
SHEET	5 OF 11

ENGINEERING SERVICES - CA 32439  
631 SEAPORT BLVD.  
CAPE CANAVERAL, FL 32920  
PPMF@AOL.COM  
ENGINEER SEAL  
PEDRO DE FIGUEIREDO  
PE 52609

MODEL D - HARDWARE OPTIONS - PART 2



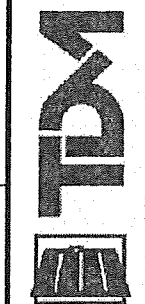
Pedro De Figueiredo  
PE 52609  
06/13/2025

ENGINEERING SERVICES - CA 32459  
631 SEAPORT BLVD.  
CAPE CANAVERAL, FL 32920  
PPMF@AOL.COM  
ENGINEER SEAL  
PEDRO DE FIGUEIREDO  
PE 52609



PRODUCT CATEGORY: OUTSWING DOORS  
PRODUCT MATERIAL: WOOD  
IMPACT RATING: LARGE # SMALL MISSILE  
TROPICAL 10 - OPAQUE  
OUTSWING DOORS

T: (305) 640-1154  
F: (305) 513-4118  
C: (305) 614-0664  
E: [rguiluf@trmdoors.com](mailto:rguiluf@trmdoors.com)  
W: [www.trmdoors.com](http://www.trmdoors.com)

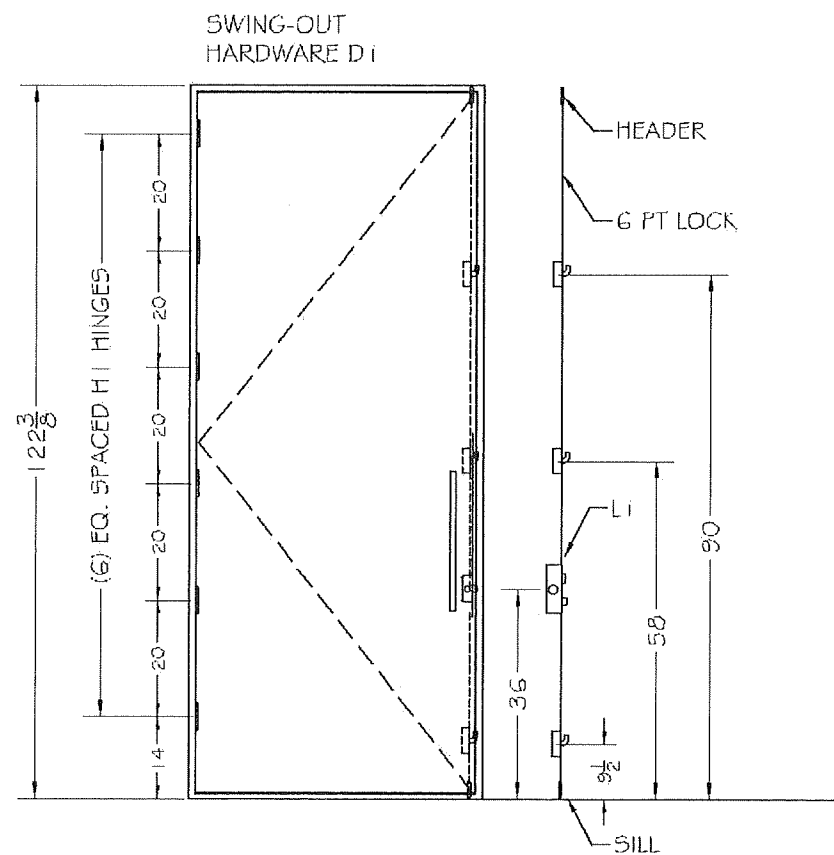


MIAMI-DADE BCCO:

Approved as complying with the  
Florida Building Code  
Date JUL 17, 2025  
NOA# 25-0312-12  
Miami-Dade Product Control

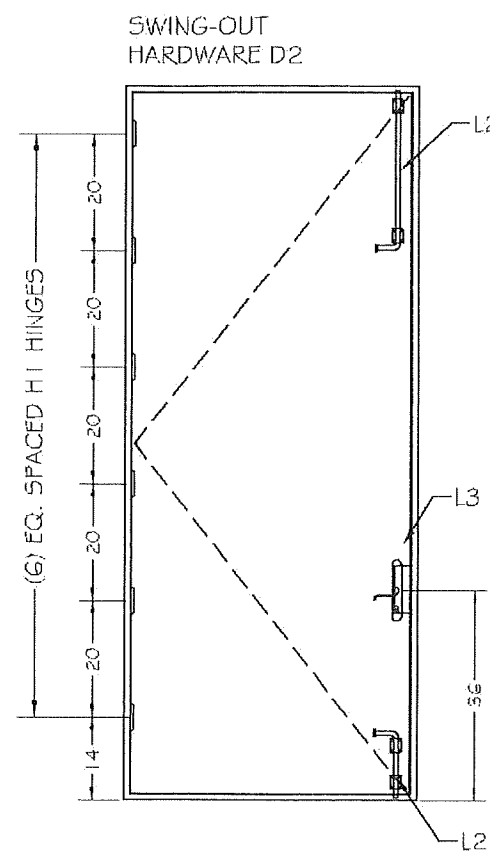
*[Signature]*

SCALE: NA  
DATE: 06/13/2025  
DRAWING #: 24-124-0  
SHEET: 6 OF 11



SAMPLE D1 HARDWARE

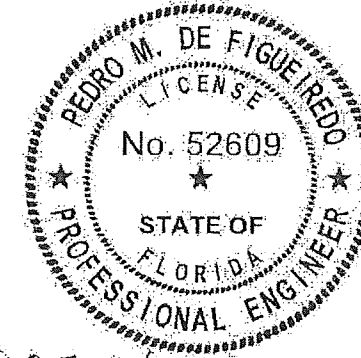
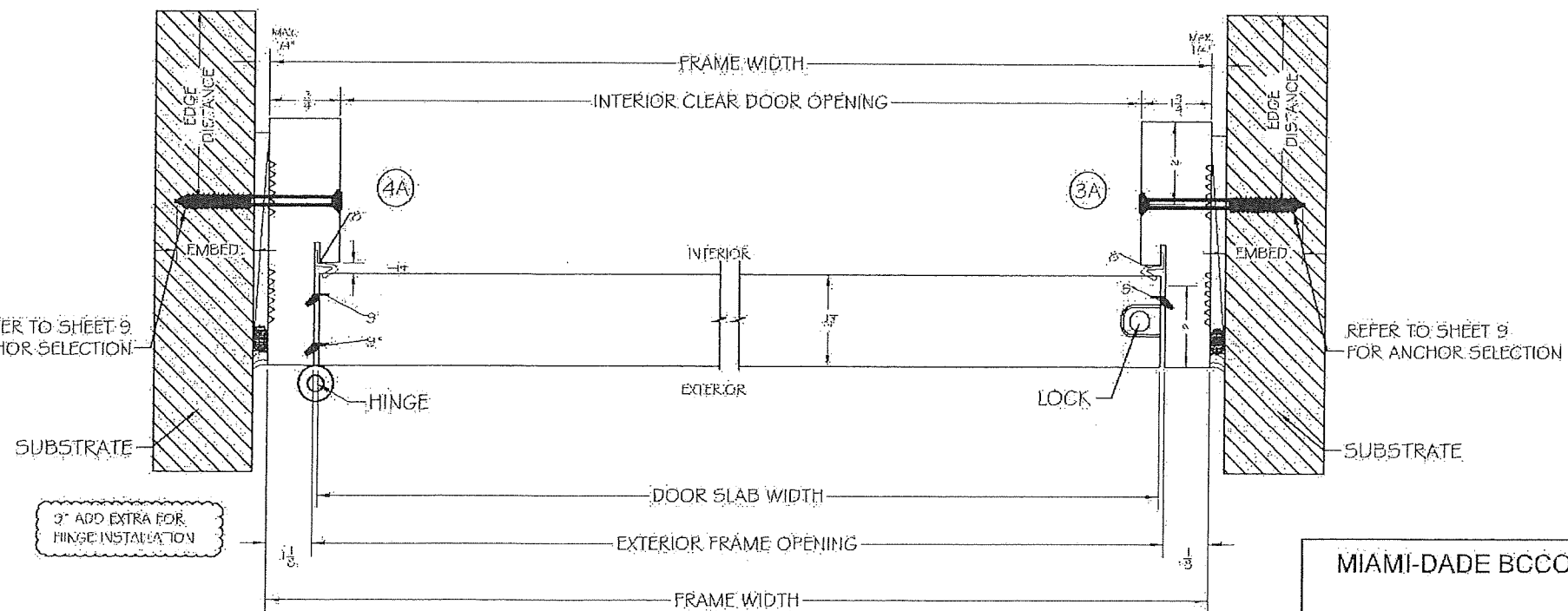
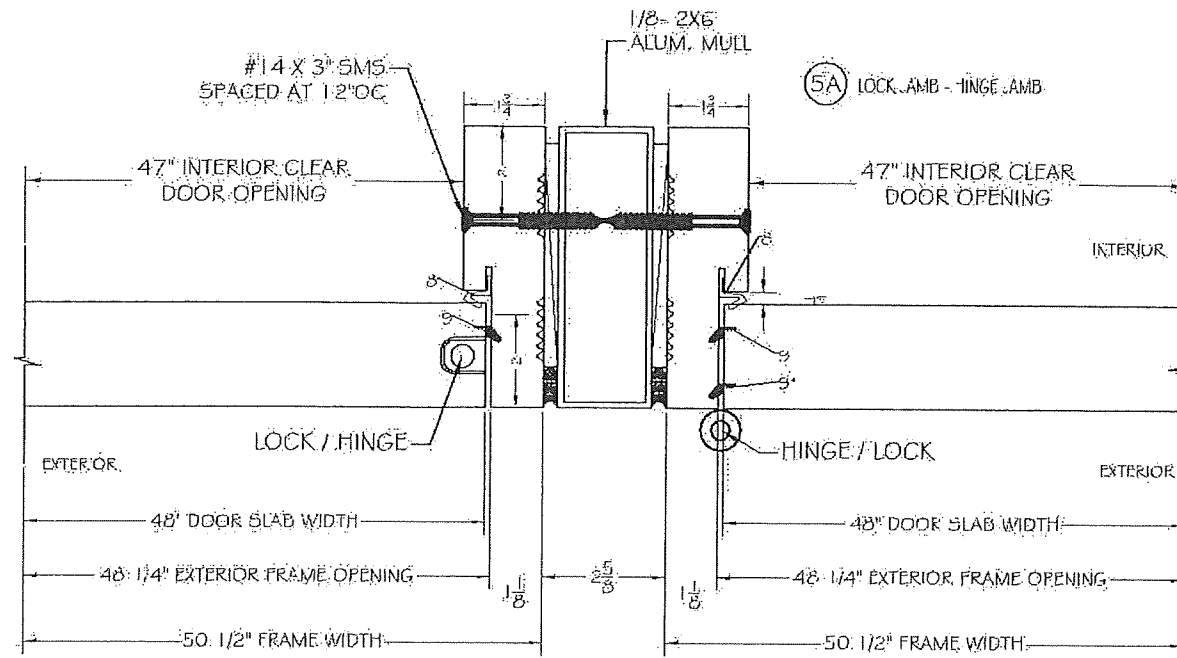
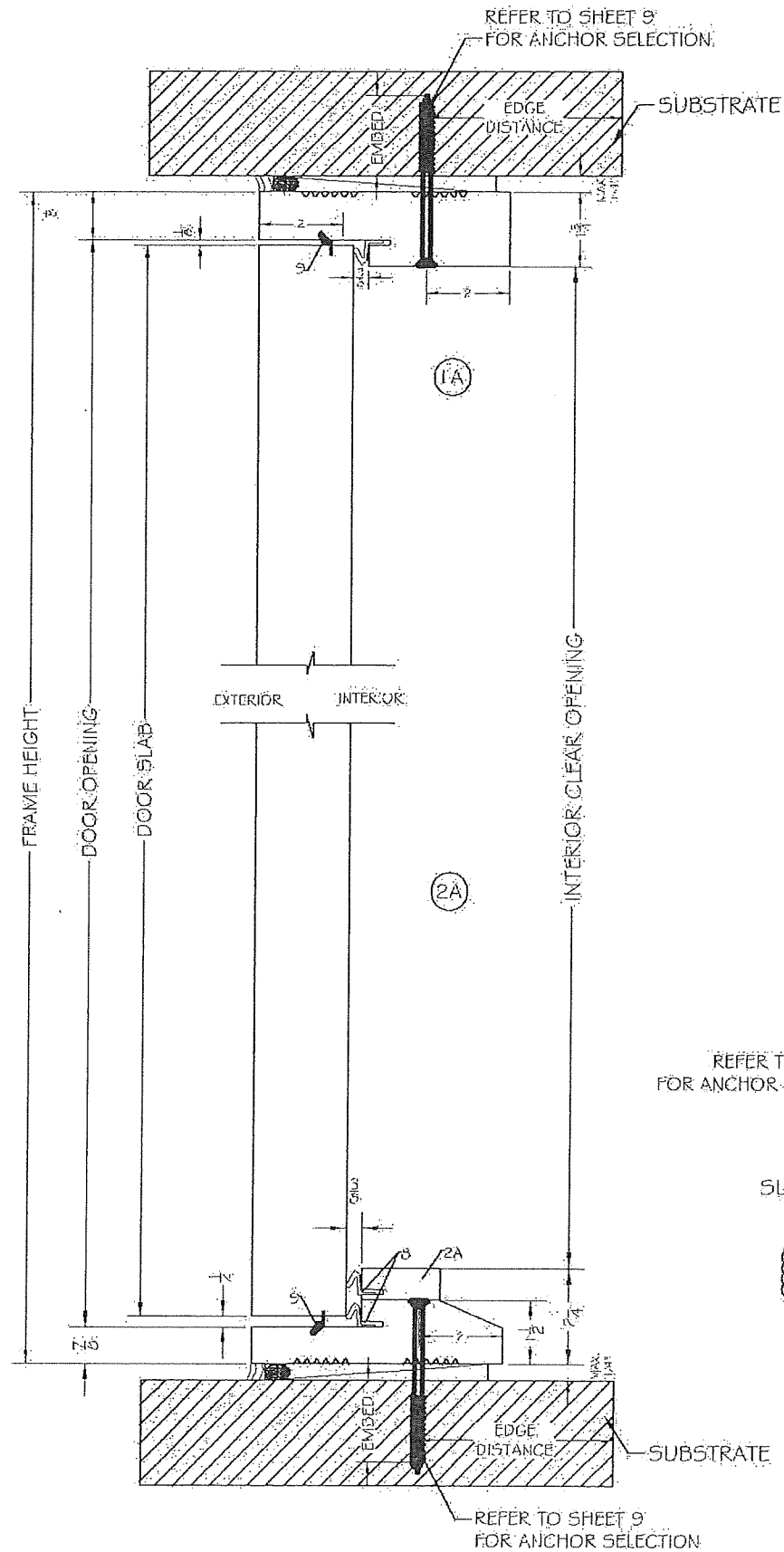
MARK	DESCRIPTION
L1	ONE GU CONCEALED MOUNT STAINLESS STEEL 6 FT (4 FT STILE TO JAMB + 2 FT HEADER + SILL) LOCK SYSTEM WITH ACTIVATION LEVER HANDLE WITH A KEY CYLINDER AND THUMB TURN OPERATOR ON THE INSIDE.
H1	SIX SOLID BRASS DELTANA 4 1/2" BUTT HINGES SECURED WITH (4) #12 X 1 1/2" FH SMS 1 4" FROM SILL AND EQUALLY SPACED AT JAMB
K1	FOUR "GU" CONCEALED MOUNTED STAINLESS STEEL STRIKE PLATE SECURED TO FRAME JAMB WITH (4) 1/4" X 3 3/4" CONCRETE FASTENERS.
K2	TWO "GU" CONCEALED MOUNTED STAINLESS STEEL STRIKE PLATE SECURED TO HEADER AND SILL WITH (4) 1/4" X 3 3/4" CONCRETE FASTENERS.



SAMPLE D2 HARDWARE

MARK	DESCRIPTION
L2	TWO SOLID BRASS CUSTOM SURFACE MOUNT 26" (TOP) AND 10" (BOTTOM) LONG SLIDE BOLT SECURED WITH (5) #10X 1 1/2" FH SMS
L3	ONE EMTEK SOLID BRASS TUDULAR HANDLE LOCK WITH ACTIVATION LEVER TYPE HANDLE AND THUMB TURN OPERATOR ON THE INSIDE AND KEY OPERATOR ON THE EXTERIOR.
H1	SIX SOLID BRASS DELTANA 4 1/2" BUTT HINGES SECURED WITH (4) #12 X 1 1/2" FH SMS 1 4" FROM SILL AND EQUALLY SPACED AT JAMB
K3	TWO CUSTOM MADE SURFACE MOUNTED STEEL STRIKE PLATE SECURED TO FRAME THRESHOLD AND HEADER AT 46" FROM JAMB WITH (4) 1/4" X 3 1/4" CONCRETE FASTENERS

OPAQUE SINGLE OUT-SWING DOOR  
CROSS SECTIONS



Pedro De Figueiredo  
PE 52609  
06/13/2025

ENGINEERING SERVICES - CA 92459  
681 SEAFORT BLVD.  
CAPE CANAVERAL, FL 32920  
PPMIF@AOL.COM  
ENGINEER 95AL  
PEDRO DE FIGUEIREDO  
PE 52609



PRODUCT CATEGORY: OUTSWING DOORS  
PRODUCT MATERIAL: WOOD  
IMPACT RATING: LARGE & SMALL MISSILE  
TROPICAL IO - OPAQUE  
OUTSWING DOORS

T: (305) 640-1154  
F: (305) 513-4118  
C: (305) 614-0664  
E: iguilfo@tmdoors.com  
W: www.tmdoors.com

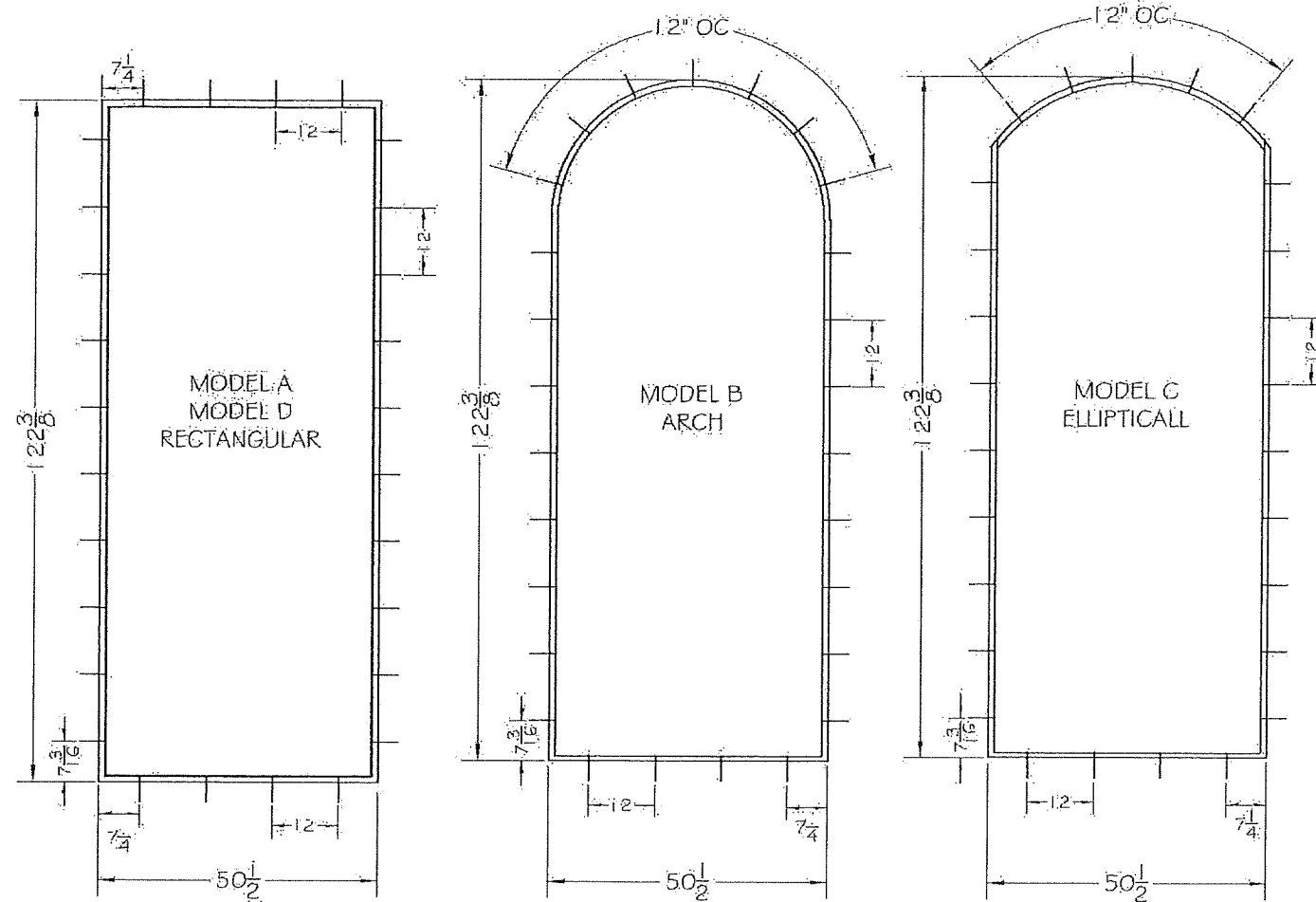


MIAMI-DADE BCCO:  
Approved as complying with the  
Florida Building Code  
Date JUL 17, 2025  
NOA# 25-0312.12  
Miami Dade Product Control  
By Ishang L. Chuan

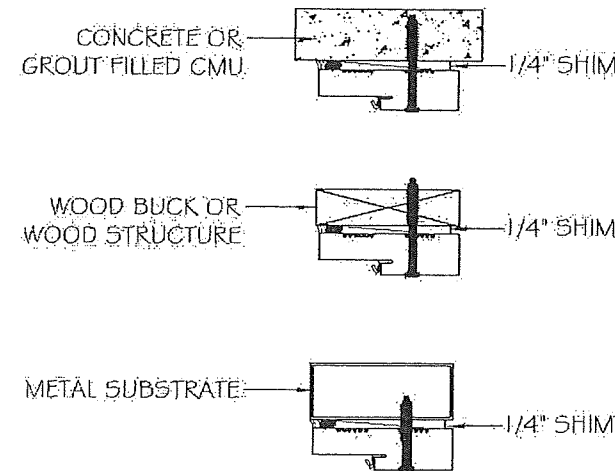
SCALE:  
NA  
DATE:  
06/13/2025  
DRAWING #:  
24-124-0  
SHEET  
7 OF 11



FRAMING ANCHORAGE

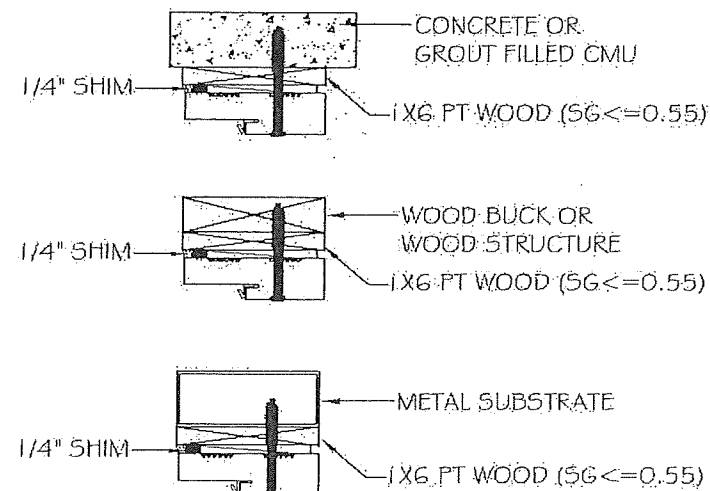


ANCHORAGE TYPE A, B, C, D DIRECT TO SUBSTRATE



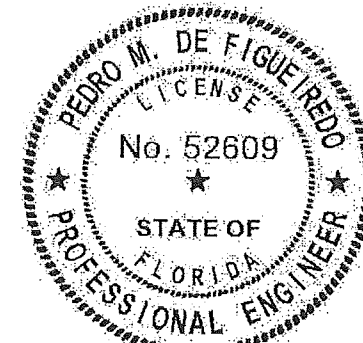
ANCHORAGE TYPE A, B, C, D THROUGH 1X AND INTO SUBSTRATE

1X6 PT WOOD TO BE DESIGNED BY OTHERS



ANCHOR TABLE

ANCHOR TYPE	DESCRIPTION	EDGE DISTANCE
A	1/4" ULTRACONS WITH MIN. 1 3/8" DIRECT INTO CONCRETE (MIN. $f_c=3$ KSI)	2 1/2"
B	1/4" ULTRACONS WITH MIN. 1 3/4" INTO GROUT FILLED BLOCK	2 1/2"
C	1/4" ULTRACONS WITH MIN. 1 1/2" DIRECT INTO WOOD STRUCTURES ( $SG \geq 0.55$ )	1"
D	1/4" SDS GR 5 MIN. 3 TREADS THROUGH 1/8" THICK METAL (ASTM A36 STEEL / 6063-T5 ALUM.)	1"



Pedro De Figueiredo  
PE 52609  
06/13/2025

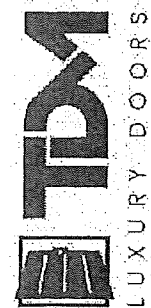


ENGINEERING SERVICES, CA 92459  
631 SEAPORT BLVD.  
CAPE CANAVERAL, FL 32920  
PPMF@AOL.COM



PRODUCT CATEGORY: OUTSWING DOORS  
PRODUCT MATERIAL: WOOD  
IMPACT RATING: LARGE # SMALL MISSILE  
TROPICAL 10 - OPAQUE  
OUTSWING DOORS

T: (305) 640-1154  
F: (305) 513-4118  
C: (305) 614-0664  
E: rgiulio@tmdoors.com  
W: www.tmdoors.com



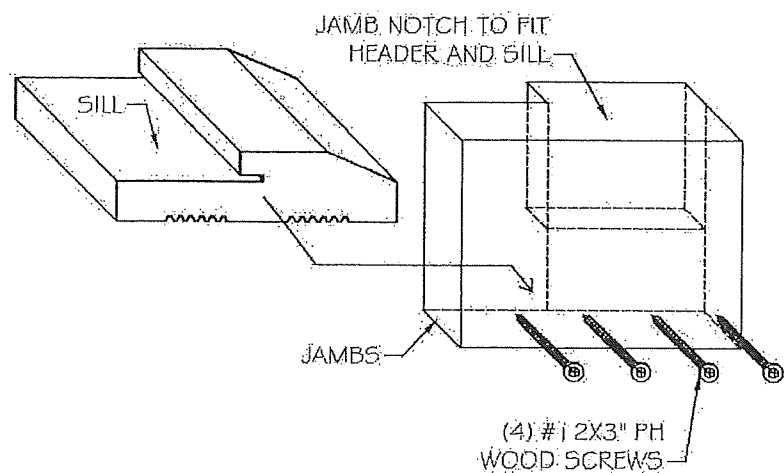
MIAMI-DADE BCCO:

Approved as complying with the Florida Building Code  
Date: JUL 17, 2025  
NOA#: 25-0312.12  
Miami Dade Product Control  
By: Ishag I. Chaudhry

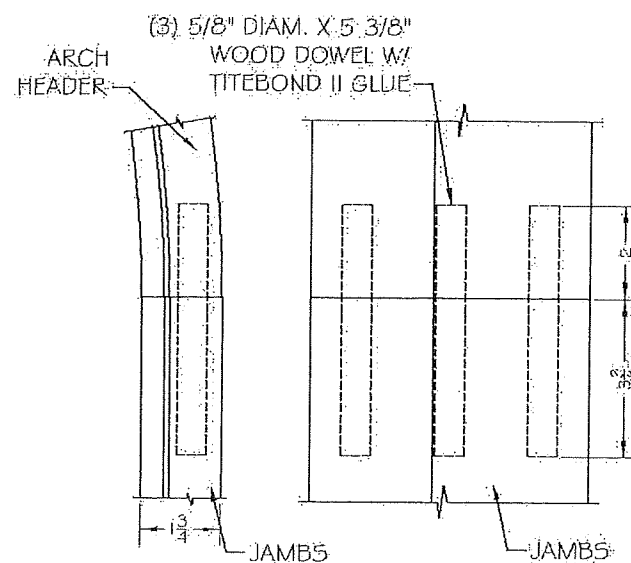
SCALE: NA  
DATE: 06/13/2025  
DRAWING #: 24-124-0  
SHEET 9 OF 11

FRAMING CORNER ASSEMBLY

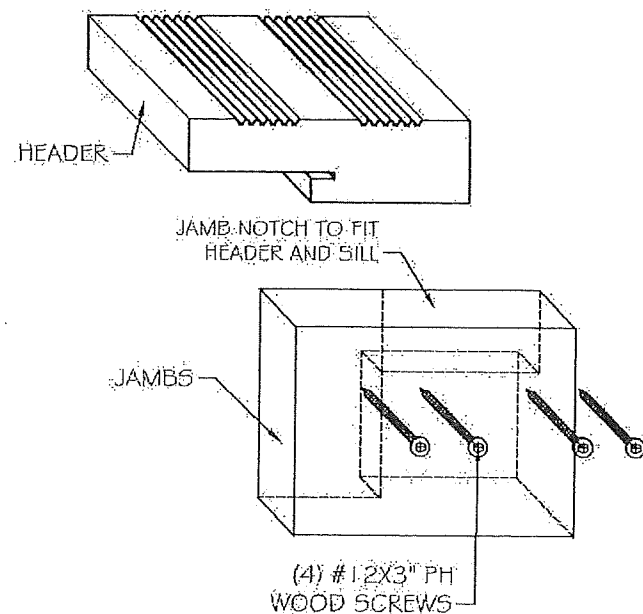
SILL / JAMB CORNER  
ALL MODELS



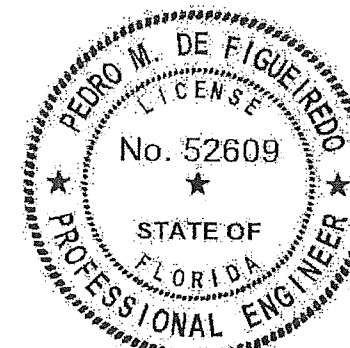
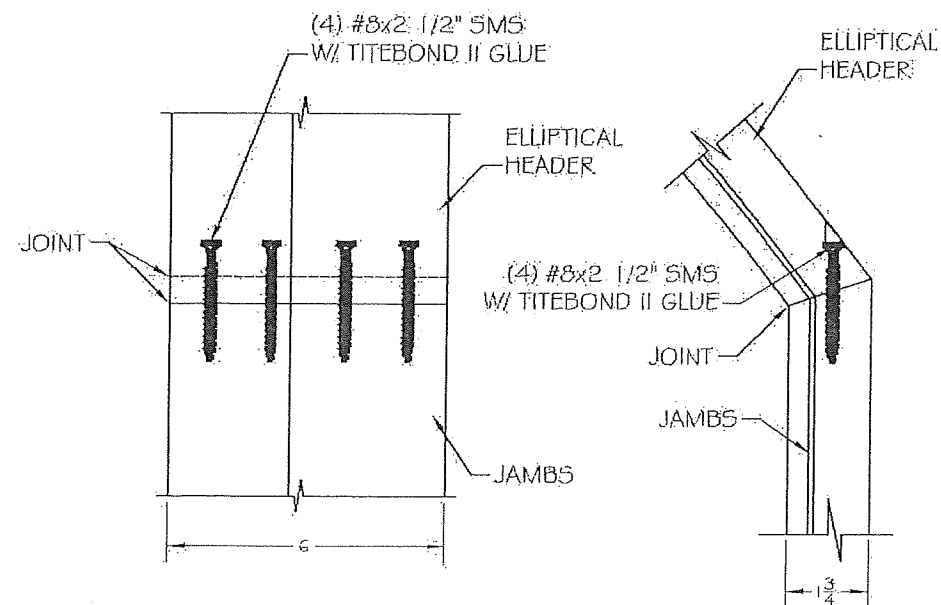
HEADER / JAMB CORNER  
MODEL B



HEADER / JAMB CORNER  
MODEL A



HEADER / JAMB CORNER  
MODEL C



Pedro De Figueiredo  
PE 52609  
06/13/2025



PRODUCT CATEGORY: OUTSWING DOORS  
PRODUCT MATERIAL: WOOD  
IMPACT RATING: LARGE & SMALL MISSILE

TROPICAL 10 - OPAQUE  
OUTSWING DOORS

T: (305) 640-1154  
F: (305) 513-4118  
C: (305) 614-0664  
E: rguiluf@tmdoors.com  
W: www.tmdoors.com



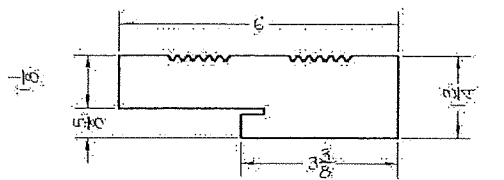
MIAMI-DADE BCCO:

Approved as complying with the  
Florida Building Code  
Date Jul 17, 2025  
NOA# 25-0312.12  
Miami Dade Product Control  
By Ishag J. Chaudhry

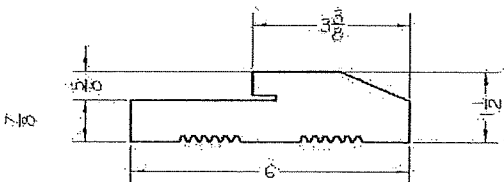
SCALE:  
NA  
DATE:  
06/13/2025  
DRAWING #  
24-124-0  
SHEET  
10 OF 11

DOOR COMPONENTS

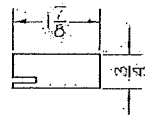
FRAME



1- JAMB, MULL & HEADER FRAME



2- SILL FRAME



2A- SILL DOUBLE WEATHERSTRIPPING

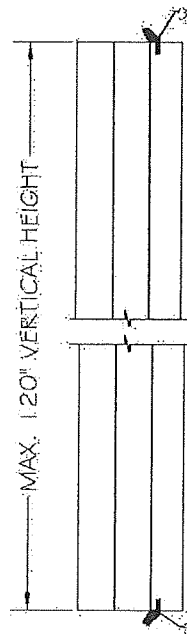
WEATHER STRIPPING



8- ES-650 WEATHERSTRIP



9- DOOR 12407 WEATHERSTRIP 3/8" KERF PS

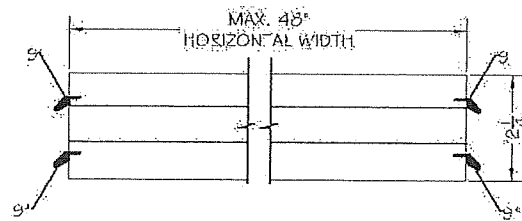


4A- PANEL VERTICAL SECTION

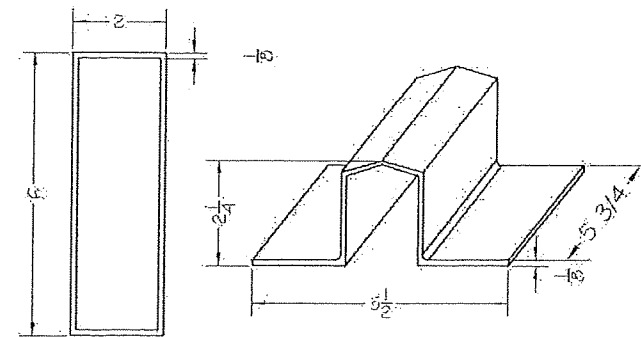
SLAB

OPAQUE PANEL IS MADE OF SOLID BUTCHER BLOCK LAMINATED WOOD

(3") ADD EXTRA FOR BUT. HINGE INSTALLATION



5A- PANEL HORIZONTAL SECTION

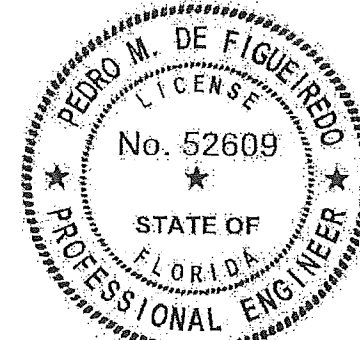


10- 1/8-2X6 ALUMINUM TUBE 6063-T6 ALUM.

11- MULL CLIP 6063-T6 ALUM.

BILL OF MATERIALS

ITEM	DESCRIPTION	MATERIAL
1	1 3/4" X 6" JAMB OR HEADER FRAMING	MAHOGANY WOOD
2	1 1/2" X 6" SILL THRESHOLD FRAMING	MAHOGANY WOOD
2A.	1 7/8" X 3/4" SILL DOUBLE WEATHER STRIPPING HOLDER	MAHOGANY WOOD
4A.	2 1/4" VERTICAL SECTION OF OPAQUE PANEL	MAHOGANY WOOD
5A.	2 1/4" HORIZONTAL SECTION OF OPAQUE PANEL	MAHOGANY WOOD
8	ES-650 FRAMING WEATHER STRIPPING	RUBER
9	12407 DOOR WEATHER STRIPPING	RUBER
10	1/8-2X6 MULLION	6063-T6 ALUMINUM
11	MULL CLIP	6063-T6 ALUMINUM

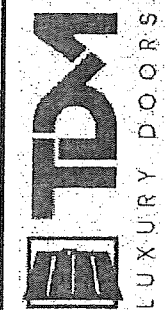


Pedro De Figueiredo  
PE 52609  
06/13/2025



PRODUCT CATEGORY: OUTSWING DOORS  
PRODUCT MATERIAL: WOOD  
IMPACT RATING: LARGE & SMALL MISSILE  
TROPICAL 10 - OPAQUE  
OUTSWING DOORS

T: (305) 640-1154  
F: (305) 513-4118  
C: (305) 614-0664  
E: rguiulfo@tmdoors.com  
W: www.tmdoors.com



MIAMI-DADE BCCO:

Approved as complying with the Florida Building Code  
Date JUL 17, 2025  
NOA# 25-0312.12  
Miami Dade Product Control  
By Isheng I. Chant

SCALE: NA  
DATE: 06/13/2025  
DRAWING #: 24-124-0  
SHEET: 11 OF 11